

# C1005JB1E155M050BC

TDK Item Description : C1005JB1E155MT\*\*\*\*

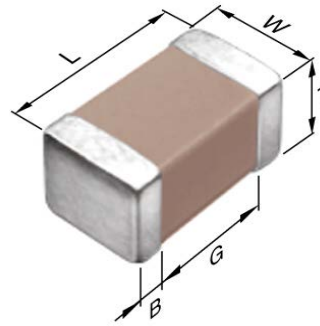


## Application & Main Feature

Commercial Grade ( General (Up to 50V) )

## Series

C1005 [EIA 0402]



## Dimensions

L	1.00mm +/-0.1mm
W	0.50mm +/-0.1mm
T	0.50mm +/-0.1mm
B	0.10mm Min.
G	0.30mm Min.

## Temperature Characteristic

JB (-25 to 85 degC +/-10%)

## Rated Voltage

1E (25Vdc)

## Capacitance

1.5uF

## Capacitance Tolerance

M (+/-20%)

## Dissipation Factor

10% Max.

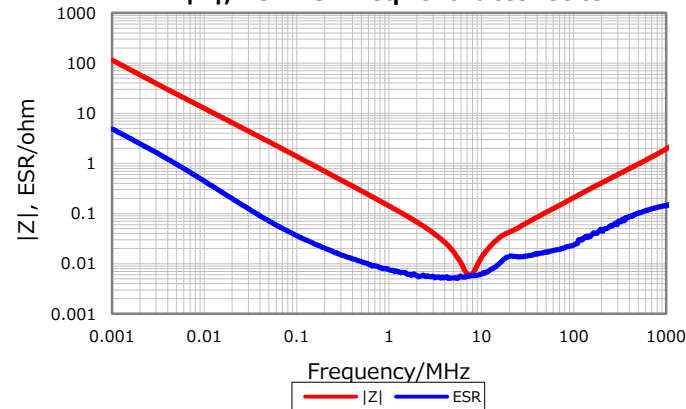
## Insulation Resistance

66Mohm Min.

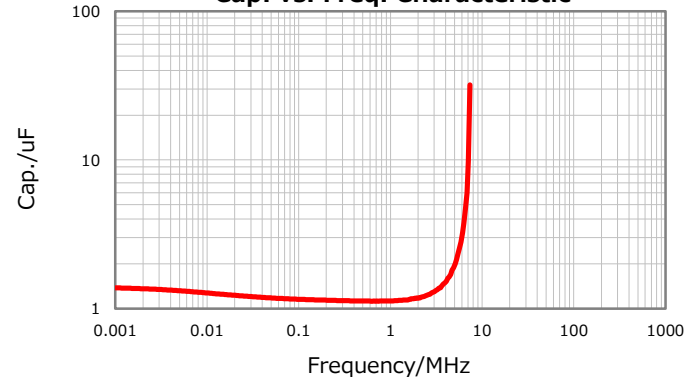
## AEC-Q200

Not Applicable

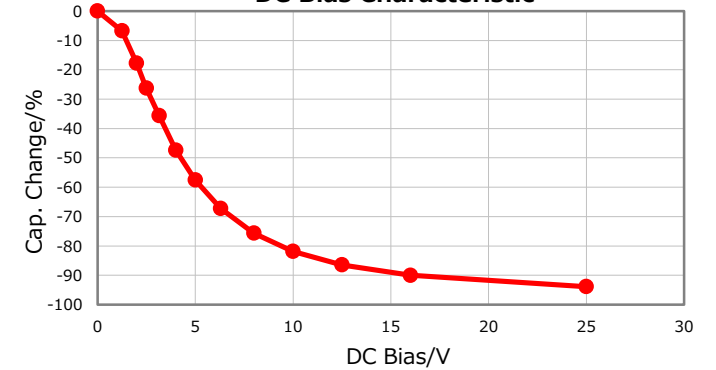
## |Z|, ESR vs. Freq. Characteristics



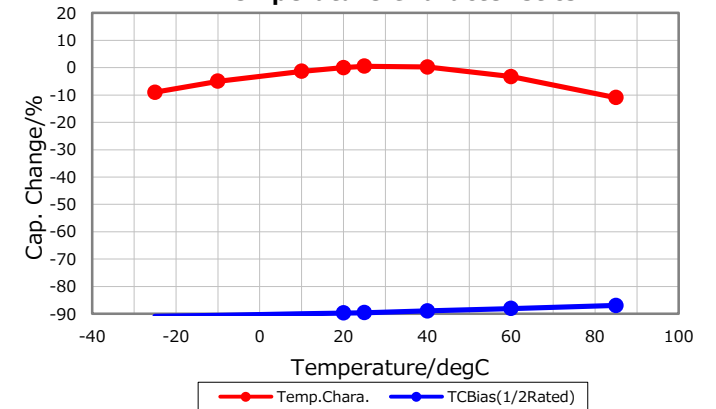
## Cap. vs. Freq. Characteristic



## DC Bias Characteristic



## Temperature Characteristics



## Ripple Temperature Rise Characteristics

