

C1005X5R1E155M050BC

TDK Item Description : C1005X5R1E155MT****

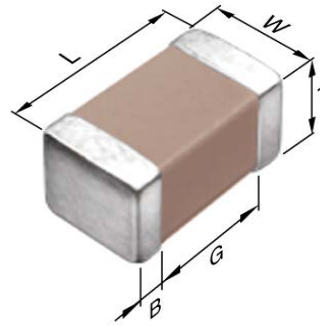


Application & Main Feature

Commercial Grade (General (Up to 50V))

Series

C1005 [EIA 0402]



Dimensions

L	1.00mm +/-0.1mm
W	0.50mm +/-0.1mm
T	0.50mm +/-0.1mm
B	0.10mm Min.
G	0.30mm Min.

Temperature Characteristic

X5R (-55 to 85 degC +/-15%)

Rated Voltage

1E (25Vdc)

Capacitance

1.5uF

Capacitance Tolerance

M (+/-20%)

Dissipation Factor

10% Max.

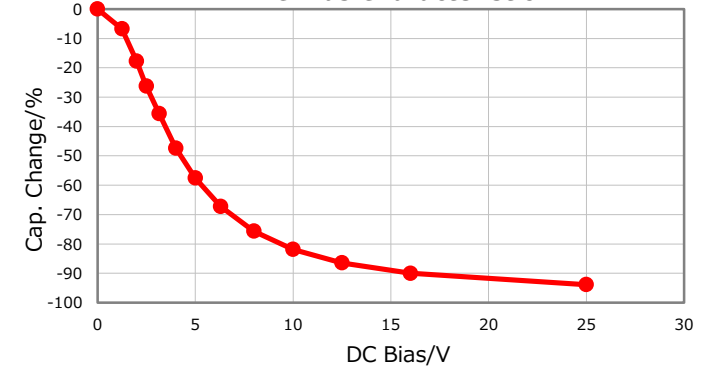
Insulation Resistance

66Mohm Min.

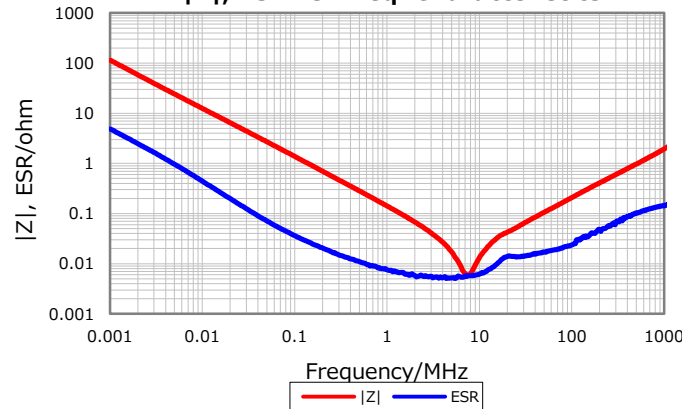
AEC-Q200

Not Applicable

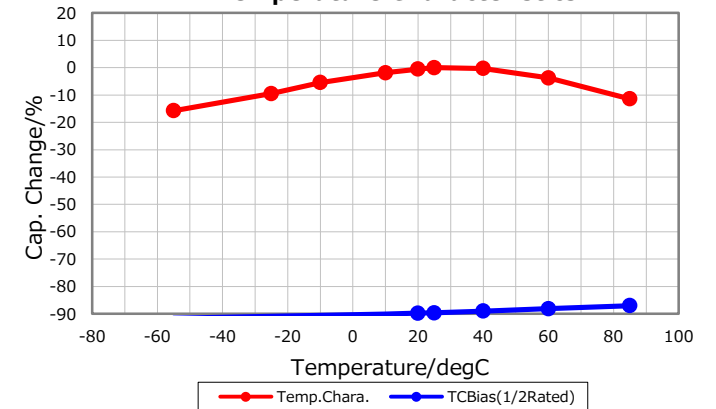
DC Bias Characteristic



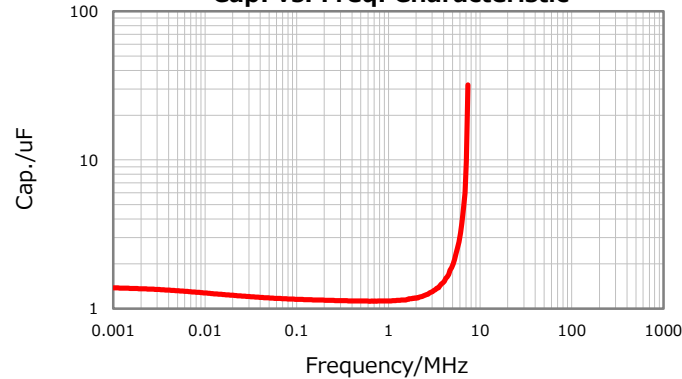
|Z|, ESR vs. Freq. Characteristics



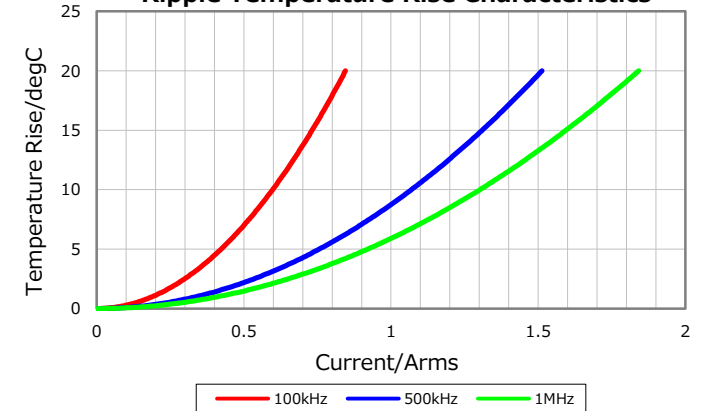
Temperature Characteristics



Cap. vs. Freq. Characteristic



Ripple Temperature Rise Characteristics



Characterization Sheet (Multilayer Ceramic Chip Capacitors)



All specifications are subject to change without notice.

July 6, 2016