

# C1005X5R1E225K050BE

TDK Item Description : C1005X5R1E225KT\*\*\*S

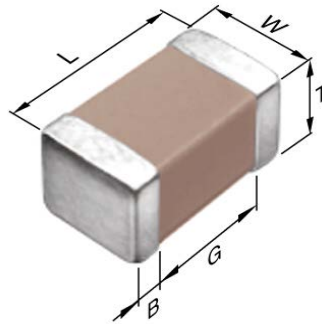


## Application & Main Feature

Commercial Grade ( Soft Termination )

## Series

C1005 [EIA 0402]



## Dimensions

L	1.00mm +0.25,-0.1mm
W	0.50mm +0.2,-0.1mm
T	0.50mm +0.2,-0.1mm
B	0.10mm Min.
G	0.30mm Min.

## Temperature Characteristic

X5R (-55 to 85 degC ±15%)

## Rated Voltage

1E (25Vdc)

## Capacitance

2.2uF

## Capacitance Tolerance

K (+/-10%)

## Dissipation Factor

10% Max.

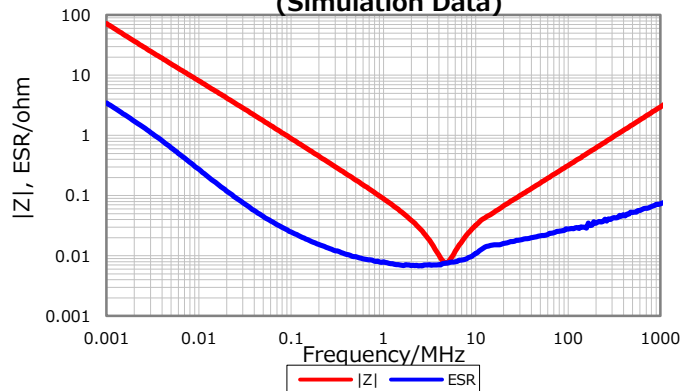
## Insulation Resistance

227Mohm Min.

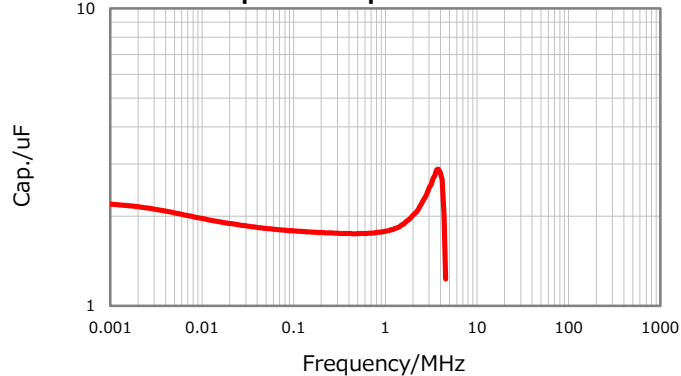
## AEC-Q200

Not Applicable

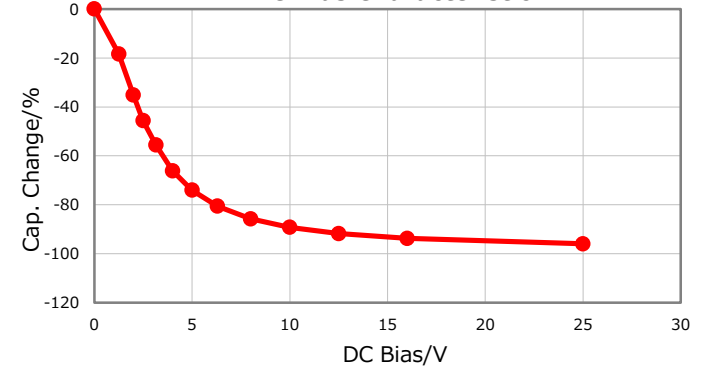
## |Z|, ESR vs. Freq. Characteristics (Simulation Data)



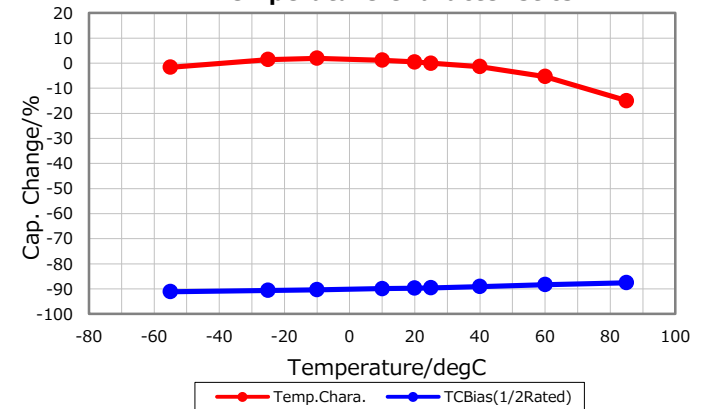
## Cap. vs. Freq. Characteristic



## DC Bias Characteristic



## Temperature Characteristics



## Ripple Temperature Rise Characteristics

