

C1005X5R1V105K050BE

TDK Item Description : C1005X5R1V105KT***S

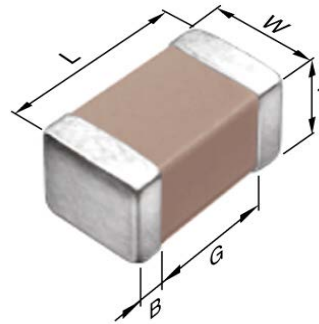


Application & Main Feature

Commercial Grade (Soft Termination)

Series

C1005 [EIA 0402]



Dimensions

L	1.00mm +0.15,-0.05mm
W	0.50mm +0.15,-0.05mm
T	0.50mm +0.15,-0.05mm
B	0.10mm Min.
G	0.30mm Min.

Temperature Characteristic

X5R (-55 to 85 degC ±15%)

Rated Voltage

1V(35Vdc)

Capacitance

1uF

Capacitance Tolerance

K (+/-10%)

Dissipation Factor

10% Max.

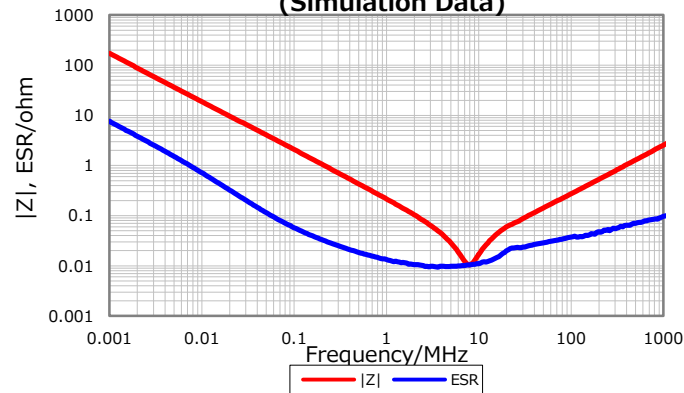
Insulation Resistance

500Mohm Min.

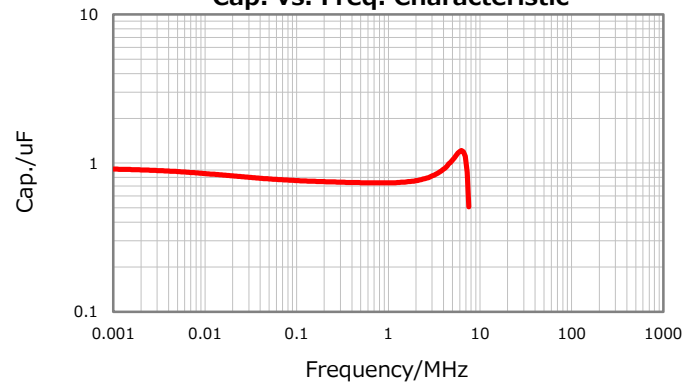
AEC-Q200

Not Applicable

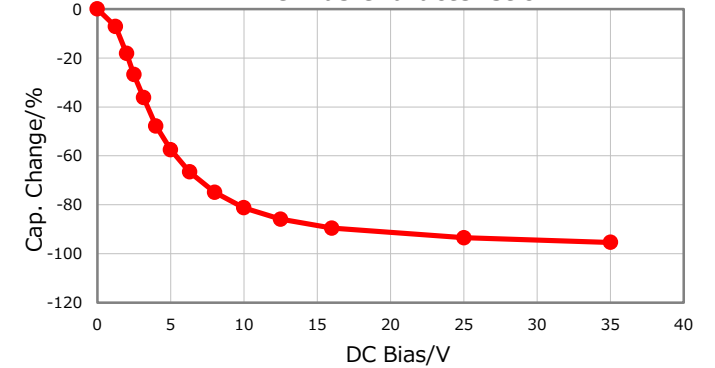
|Z|, ESR vs. Freq. Characteristics (Simulation Data)



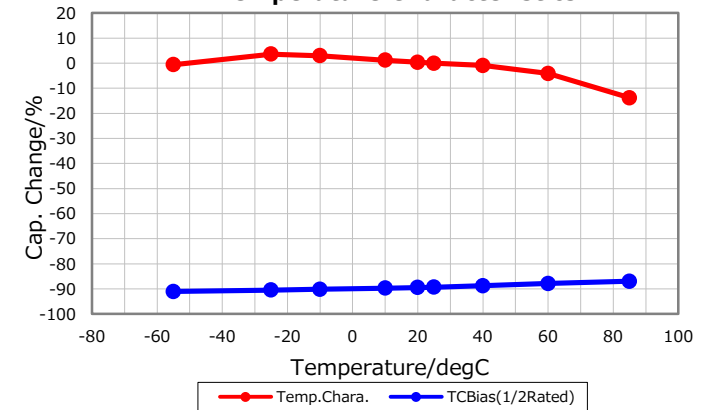
Cap. vs. Freq. Characteristic



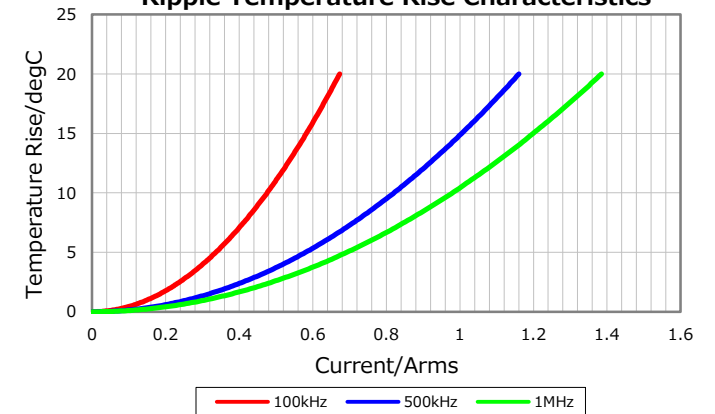
DC Bias Characteristic



Temperature Characteristics



Ripple Temperature Rise Characteristics



Characterization Sheet (Multilayer Ceramic Chip Capacitors)



All specifications are subject to change without notice.

October 30, 2017