

C1005X5R1V155M050BC

TDK Item Description : C1005X5R1V155MT****

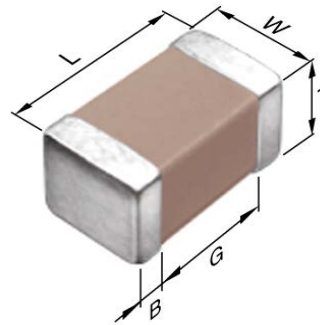


Application & Main Feature

Commercial Grade (General (Up to 50V))

Series

C1005 [EIA 0402]



Dimensions

L	1.00mm +0.15,-0.1mm
W	0.50mm +0.15,-0.1mm
T	0.50mm +0.15,-0.1mm
B	0.10mm Min.
G	0.30mm Min.

Temperature Characteristic

X5R (-55 to 85 degC +/-15%)

Rated Voltage

1V (35Vdc)

Capacitance

1.5uF

Capacitance Tolerance

M (+/-20%)

Dissipation Factor

10% Max.

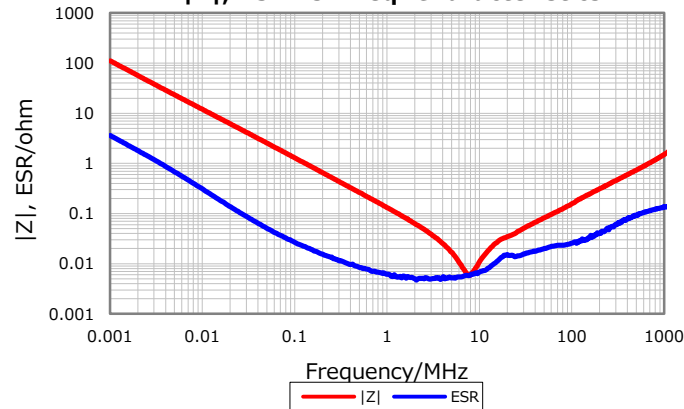
Insulation Resistance

333Mohm Min.

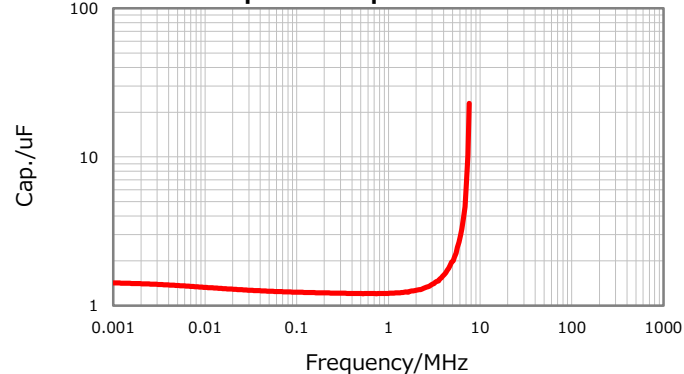
AEC-Q200

Not Applicable

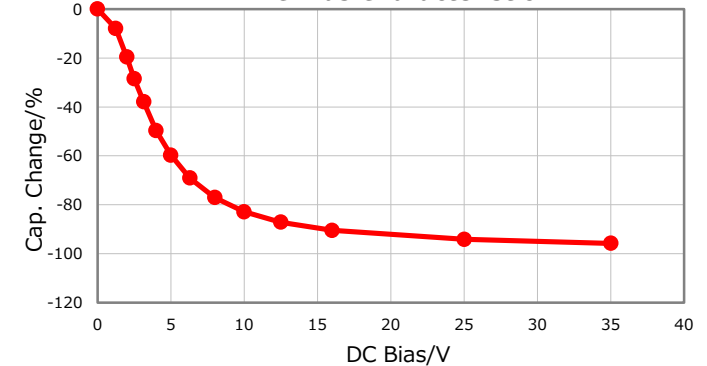
|Z|, ESR vs. Freq. Characteristics



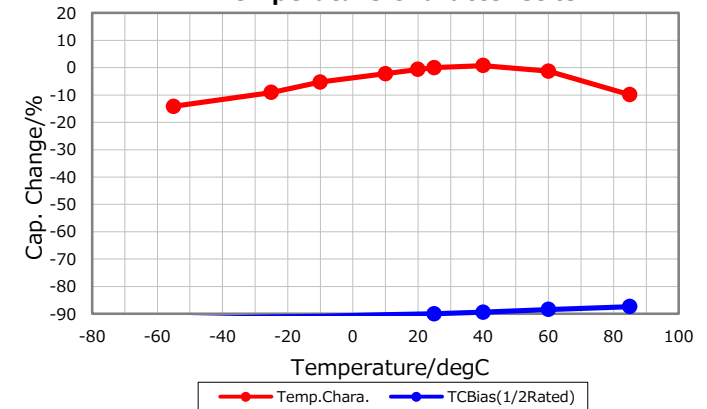
Cap. vs. Freq. Characteristic



DC Bias Characteristic



Temperature Characteristics



Ripple Temperature Rise Characteristics

