

# C1005X7R1E224K050BB

TDK item description : C1005X7R1E224KT\*\*\*\*

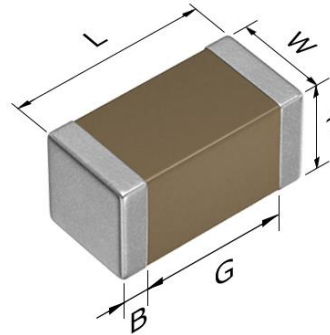


## Application & Main Feature

Commercial grade (General type)

## Series

C1005 [EIA 0402]



## Dimensions

L 1.00±0.05 mm  
 W 0.50±0.05 mm  
 T 0.50±0.05 mm  
 B 0.10 mm min.  
 G 0.30 mm min.

## Temperature Characteristic

X7R (-55 to +125 degC, ±15%)

## Rated Voltage

1E (25Vdc)

## Capacitance

220nF

## Capacitance Tolerance

K (±10%)

## DF

5 % max.

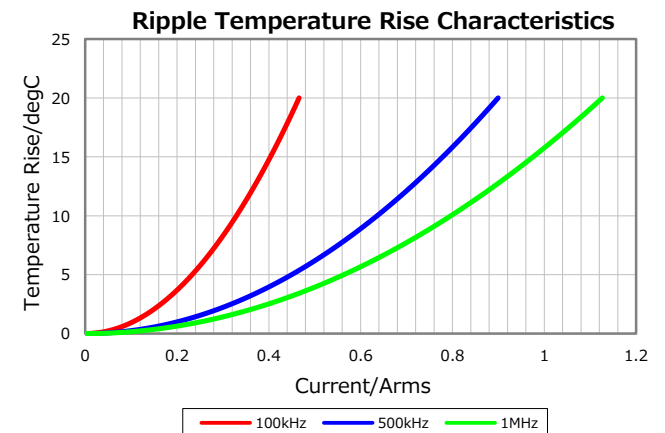
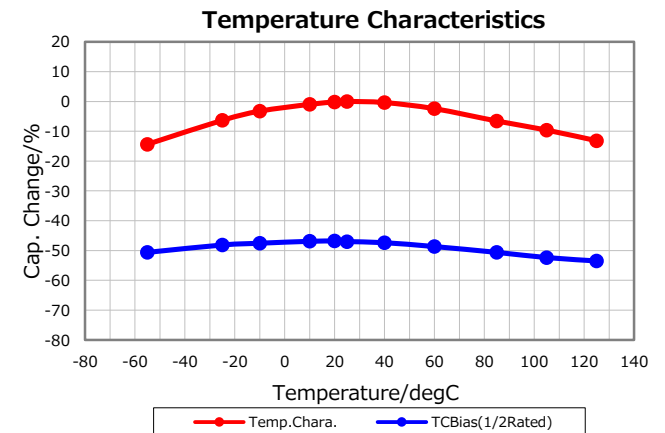
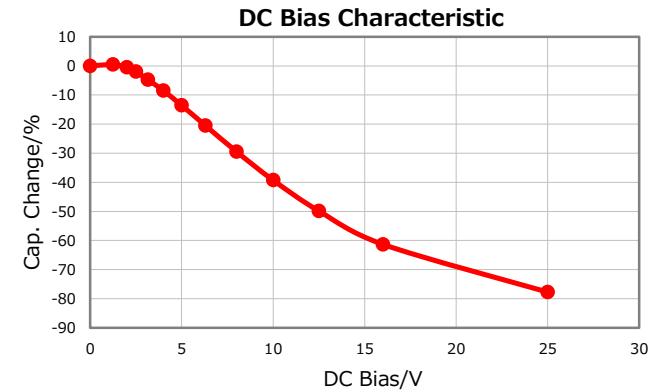
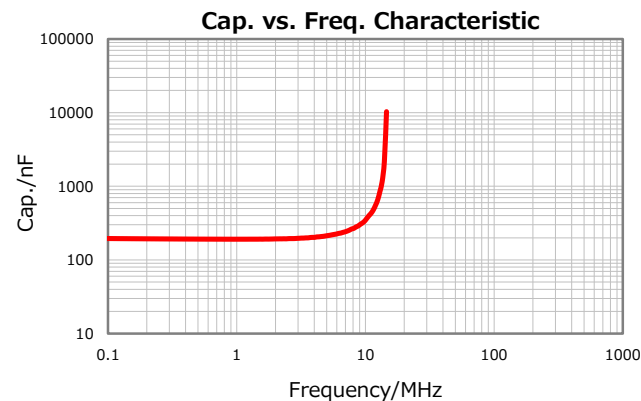
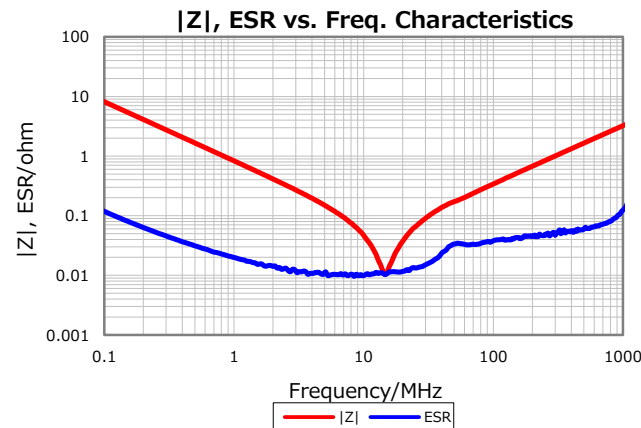
## Insulation Resistance

2272 Mohm min.

## AEC-Q200

Not Applicable

Characterization Sheet ( Multilayer Ceramic Chip Capacitors)



⚠ All specifications are subject to change without notice.

January 10, 2021