

C1005X7R1H103M050BE

TDK Item Description : C1005X7R1H103MT***S

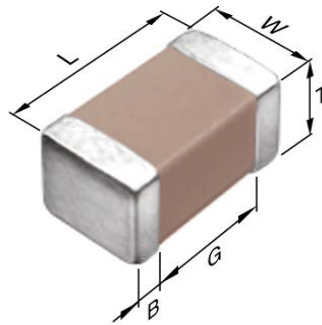


Application & Main Feature

Commercial Grade (Soft Termination)

Series

C1005 [EIA CC0402]



Dimensions

| | |
|---|----------------------|
| L | 1.00mm +0.15,-0.05mm |
| W | 0.50mm +0.1,-0.05mm |
| T | 0.50mm +0.1,-0.05mm |
| B | 0.10mm Min. |
| G | 0.30mm Min. |

Temperature Characteristic

X7R (-55 to 125 degC +/-15%)

Rated Voltage

1H (50Vdc)

Capacitance

10nF

Capacitance Tolerance

M (+/-20%)

Dissipation Factor

5% Max.

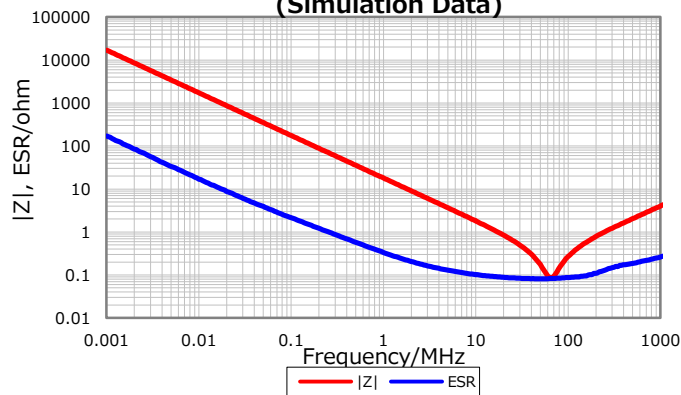
Insulation Resistance

10Gohm Min

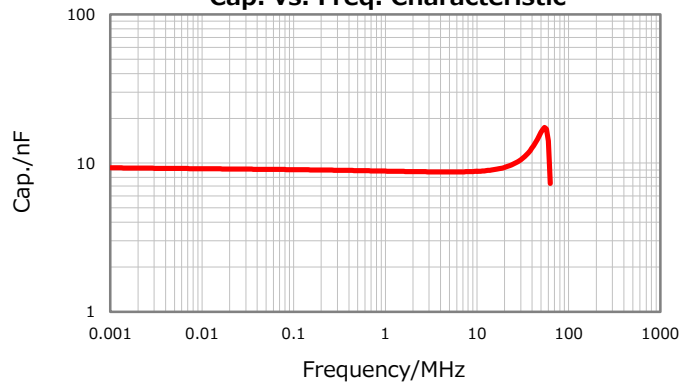
AEC-Q200

Not Applicable

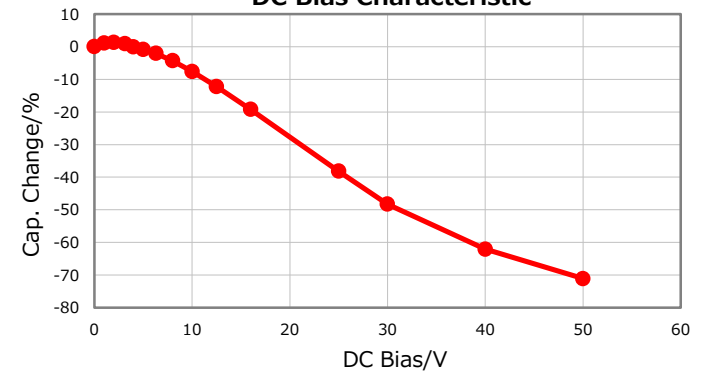
|Z|, ESR vs. Freq. Characteristics (Simulation Data)



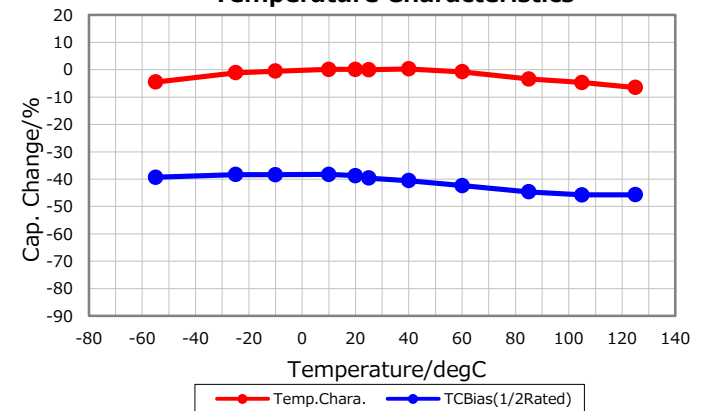
Cap. vs. Freq. Characteristic



DC Bias Characteristic



Temperature Characteristics



Ripple Temperature Rise Characteristics

