

# C1608C0G1H152J080AE

TDK Item Description : C1608C0G1H152J\*\*\*S

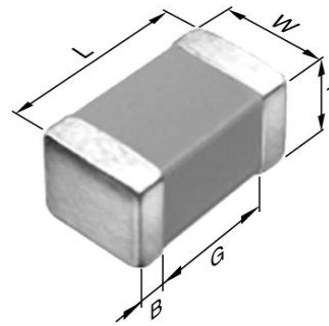


## Application & Main Feature

Commercial Grade ( Soft Termination )

## Series

C1608 [EIA 0603]



## Dimensions

|   |                     |
|---|---------------------|
| L | 1.60mm +0.2,-0.1mm  |
| W | 0.80mm +0.15,-0.1mm |
| T | 0.80mm +0.15,-0.1mm |
| B | 0.20mm Min.         |
| G | 0.30mm Min.         |

## Temperature Characteristic

C0G (-55 to 125 degC 0+/-30ppm/degC)

## Rated Voltage

1H(50Vdc)

## Capacitance

1.5nF

## Capacitance Tolerance

J (±5%)

## Q Factor

1000 Min.

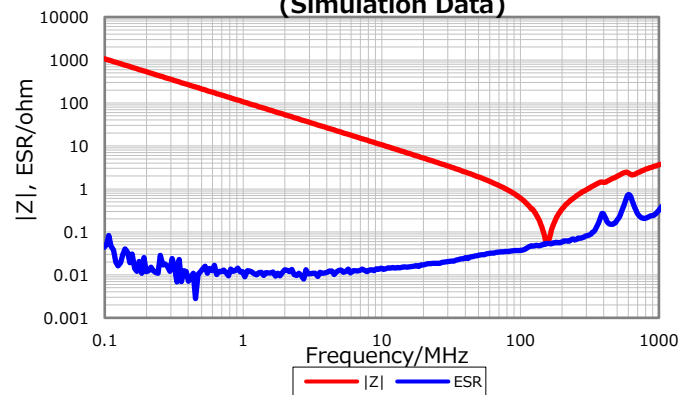
## Insulation Resistance

10Gohm Min

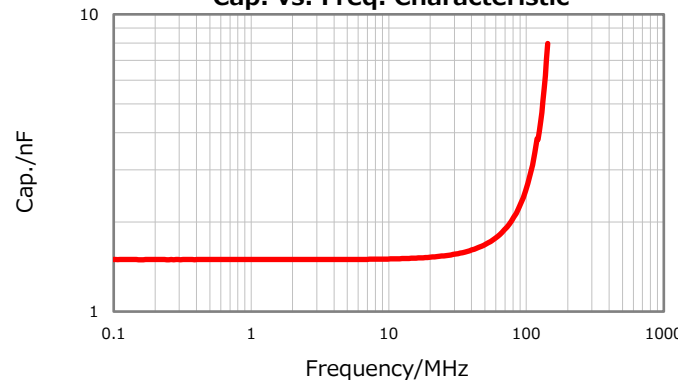
## AEC-Q200

Not Applicable

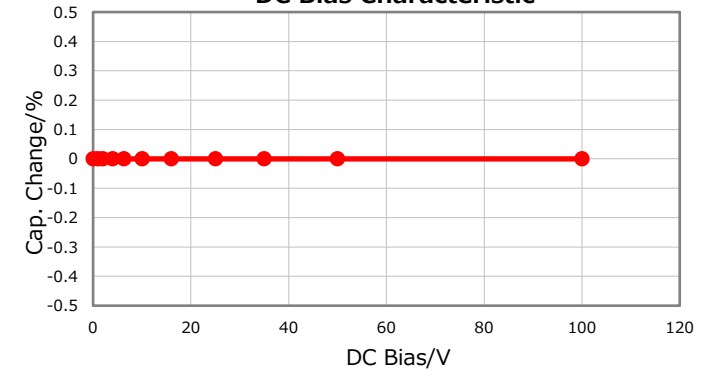
## |Z|, ESR vs. Freq. Characteristics (Simulation Data)



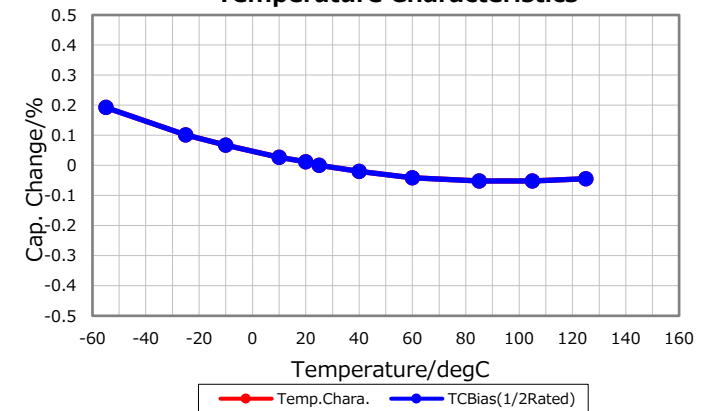
## Cap. vs. Freq. Characteristic



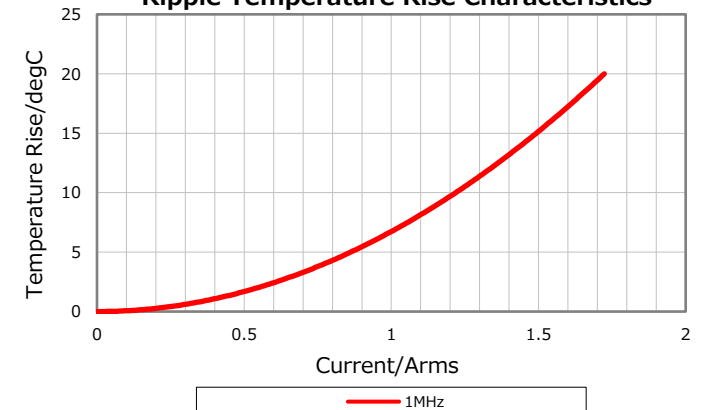
## DC Bias Characteristic



## Temperature Characteristics



## Ripple Temperature Rise Characteristics



Characterization Sheet ( Multilayer Ceramic Chip Capacitors )



All specifications are subject to change without notice.

August 1, 2019