

C1608JB1E106M080AC

TDK Item Description : C1608JB1E106MT****

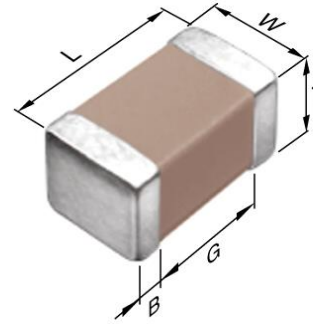


Application & Main Feature

Commercial Grade(Up to 50V)

Series

C1608 [EIA 0603]



Dimensions

L 1.60±0.20
 W 0.80±0.20
 T 0.80±0.20
 B 0.20mm Min.
 G 0.30mm Min.

Temperature Characteristic

JB (-25 to 85 degC +/-10%)

Rated Voltage

1E(25Vdc)

Capacitance

10uF

Capacitance Tolerance

M (±20%)

Dissipation Factor

10% Max.

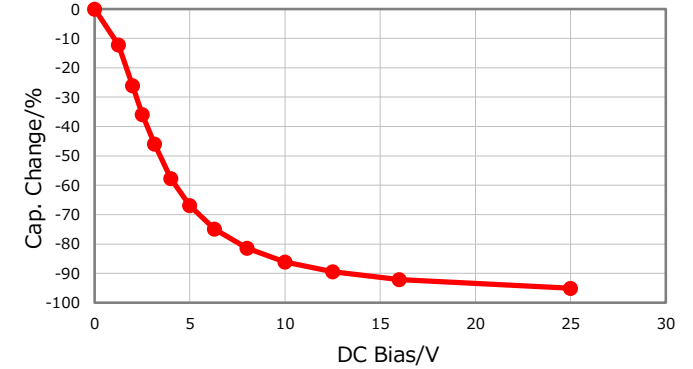
Insulation Resistance

10Mohm Min.

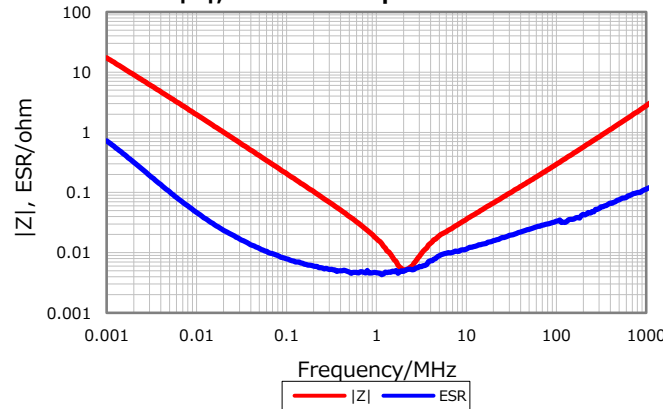
AEC-Q200

Not Applicable

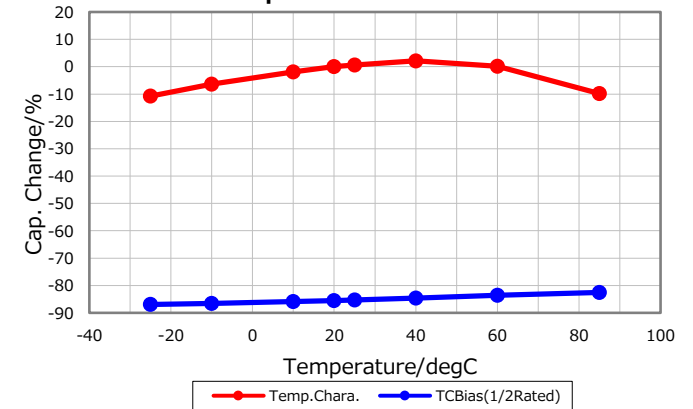
DC Bias Characteristic



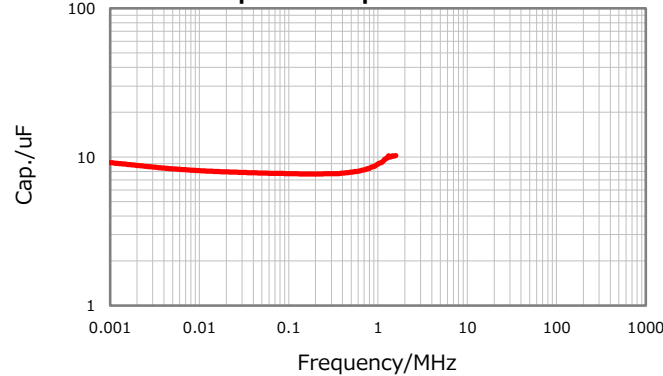
|Z|, ESR vs. Freq. Characteristics



Temperature Characteristics



Cap. vs. Freq. Characteristic



Ripple Temperature Rise Characteristics

