

C1608JB1V475K080AC

TDK Item Description : C1608JB1V475KT***

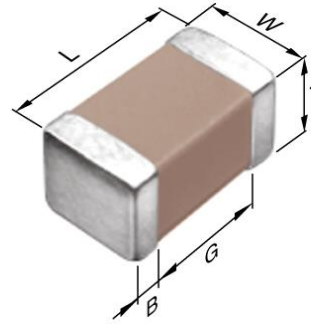


Application & Main Feature

Commercial Grade (General (Up to 50V))

Series

C1608 [EIA 0603]



Dimensions

L 1.60±0.20
 W 0.80±0.20
 T 0.80±0.20
 B 0.20mm Min.
 G 0.30mm Min.

Temperature Characteristic

JB (-25 to 85 deg +/-10%)

Rated Voltage

1V (35Vdc)

Capacitance

4.7uF

Capacitance Tolerance

K (+/-10%)

Dissipation Factor

10% Max.

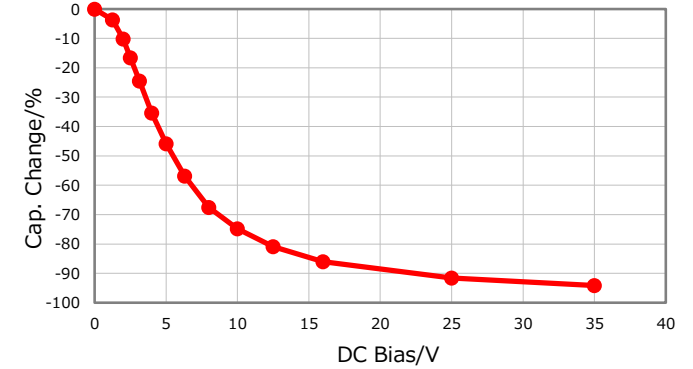
Insulation Resistance

106Mohm Min.

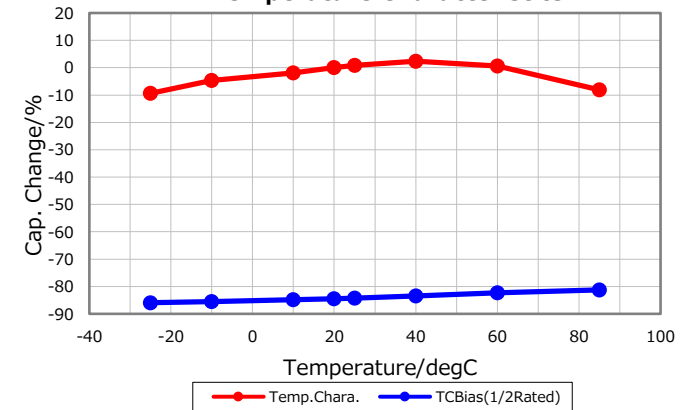
AEC-Q200

Not Applicable

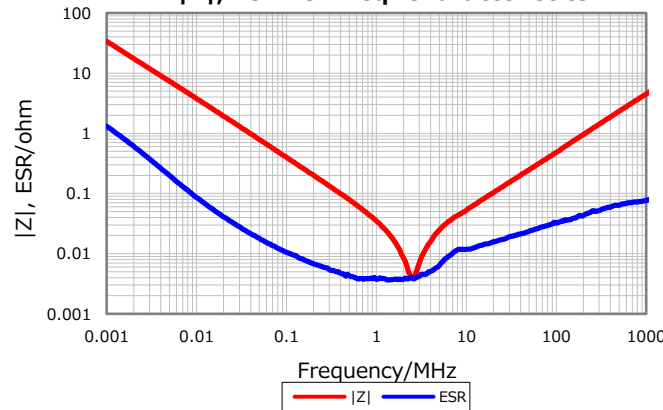
DC Bias Characteristic



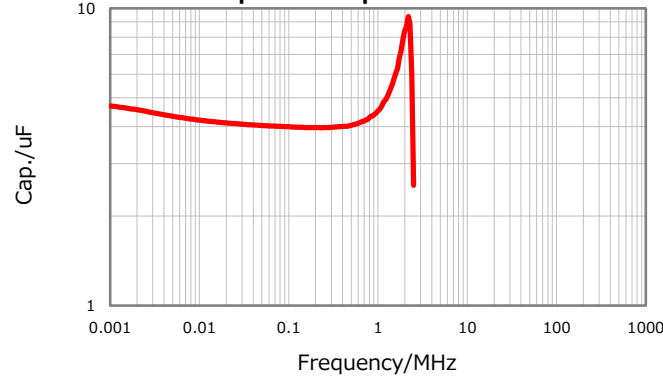
Temperature Characteristics



|Z|, ESR vs. Freq. Characteristics



Cap. vs. Freq. Characteristic



Ripple Temperature Rise Characteristics

