

# C1608X5R0J226M080AC

TDK Item Description : C1608X5R0J226MT\*\*\*\*

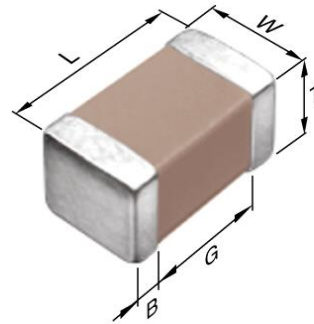


## Application & Main Feature

Commercial Grade ( General (Up to 50V) )

## Series

C1608 [EIA CC0603]



## Dimensions

L 1.60±0.20  
 W 0.80±0.20  
 T 0.80±0.20  
 B 0.20mm Min.  
 G 0.30mm Min.

## Temperature Characteristic

X5R (-55 to 85 degC +/-15%)

## Rated Voltage

0J (6.3Vdc)

## Capacitance

22uF

## Capacitance Tolerance

M (+/-20%)

## Dissipation Factor

10% Max.

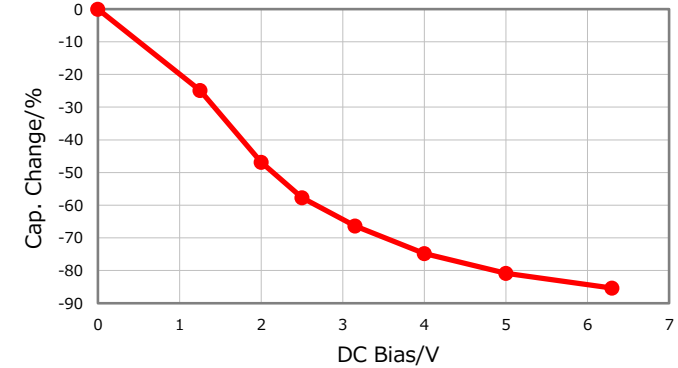
## Insulation Resistance

4Mohm Min.

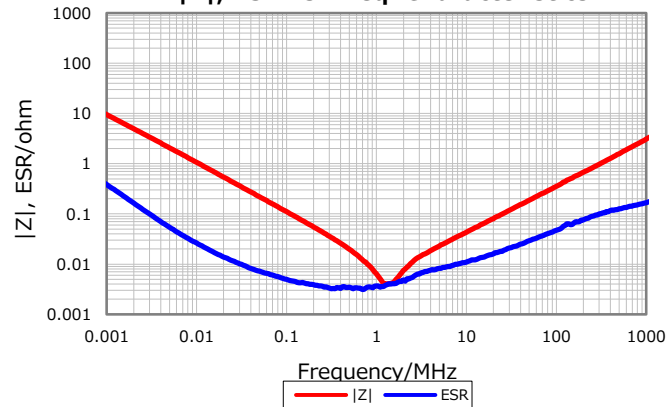
## AEC-Q200

Not Applicable

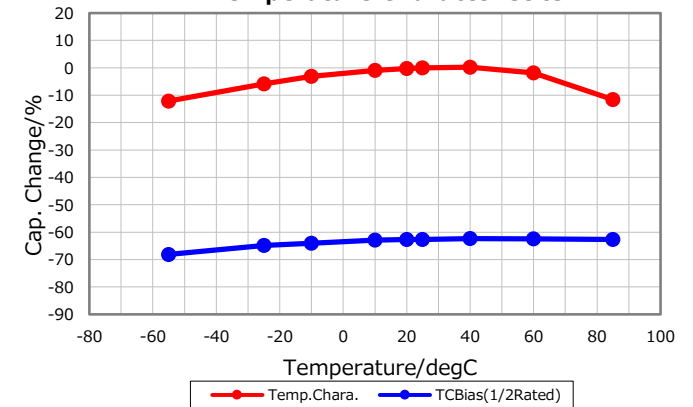
## DC Bias Characteristic



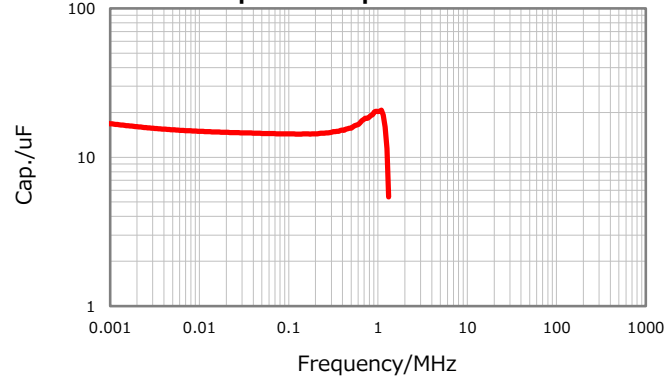
## |Z|, ESR vs. Freq. Characteristics



## Temperature Characteristics



## Cap. vs. Freq. Characteristic



## Ripple Temperature Rise Characteristics

