

C1608X5R1E225K080AE

TDK Item Description : C1608X5R1E225KT***S

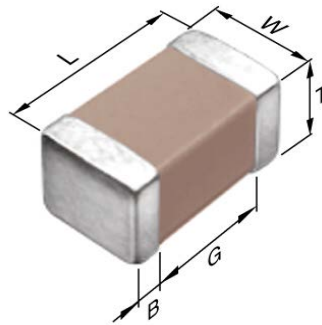


Application & Main Feature

Commercial Grade (Soft Termination)

Series

C1608 [EIA 0603]



Dimensions

| | |
|---|---------------------|
| L | 1.60mm +0.2,-0.1mm |
| W | 0.80mm +0.15,-0.1mm |
| T | 0.80mm +0.15,-0.1mm |
| B | 0.20mm Min. |
| G | 0.30mm Min. |

Temperature Characteristic

X5R (-55 to 85 degC ±15%)

Rated Voltage

1E (25Vdc)

Capacitance

2.2uF

Capacitance Tolerance

K (+/-10%)

Dissipation Factor

10% Max.

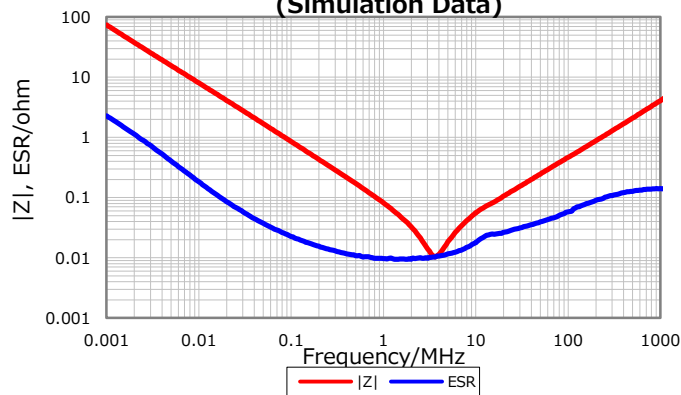
Insulation Resistance

227Mohm Min.

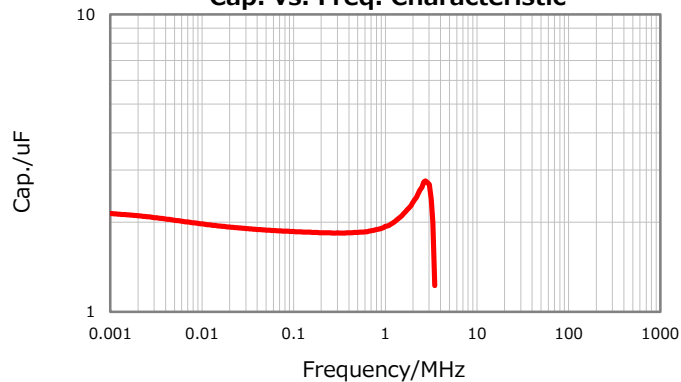
AEC-Q200

Not Applicable

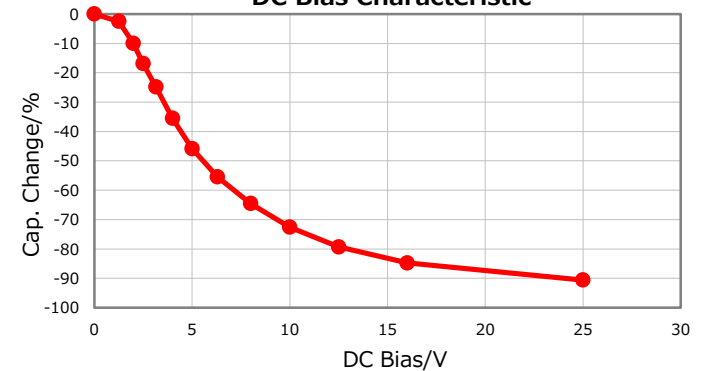
|Z|, ESR vs. Freq. Characteristics (Simulation Data)



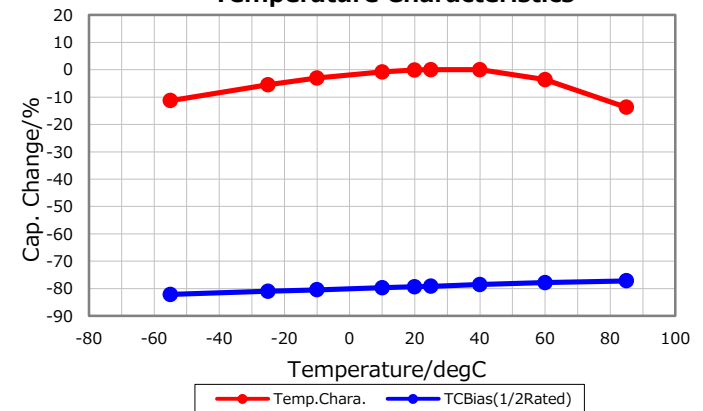
Cap. vs. Freq. Characteristic



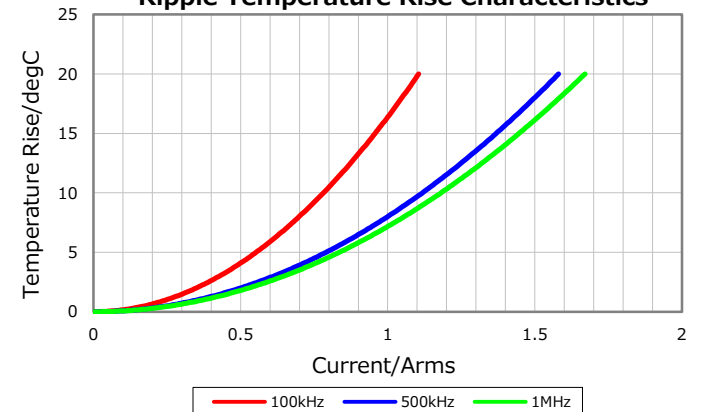
DC Bias Characteristic



Temperature Characteristics



Ripple Temperature Rise Characteristics



Characterization Sheet (Multilayer Ceramic Chip Capacitors)



All specifications are subject to change without notice.

October 27, 2017