

# C1608X5R1V475K080AC

TDK Item Description : C1608X5R1V475KT\*\*\*\*

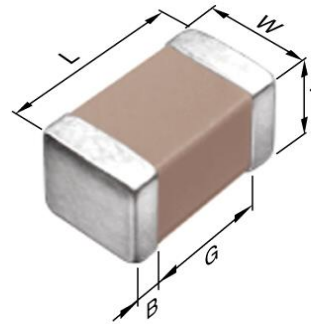


## Application & Main Feature

Commercial Grade ( General (Up to 50V) )

## Series

C1608 [EIA CC0603]



## Dimensions

L 1.60±0.20  
 W 0.80±0.20  
 T 0.80±0.20  
 B 0.20mm Min.  
 G 0.30mm Min.

## Temperature Characteristic

X5R (-55 to 85 degC +/-15%)

## Rated Voltage

1V (35Vdc)

## Capacitance

4.7uF

## Capacitance Tolerance

K (+/-10%)

## Dissipation Factor

10% Max.

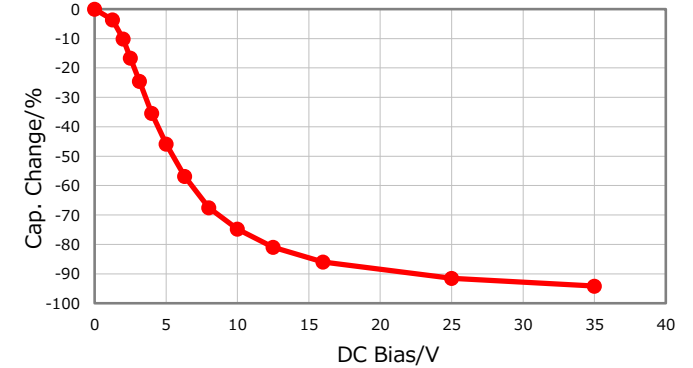
## Insulation Resistance

106Mohm Min.

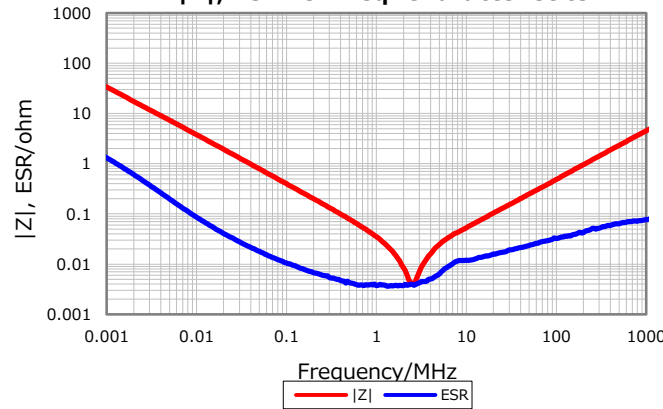
## AEC-Q200

Not Applicable

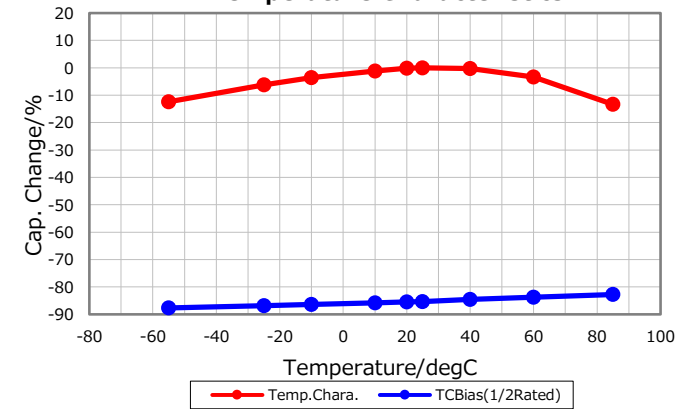
## DC Bias Characteristic



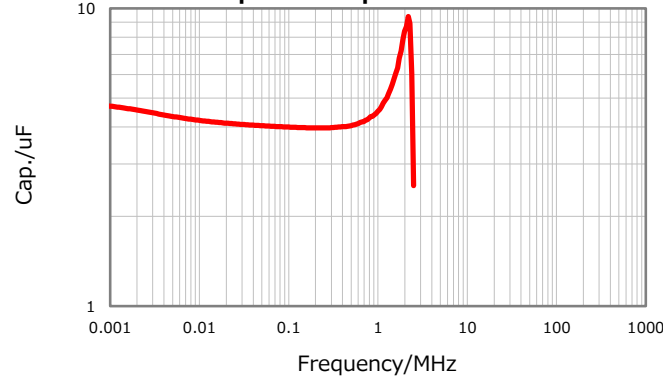
## |Z|, ESR vs. Freq. Characteristics



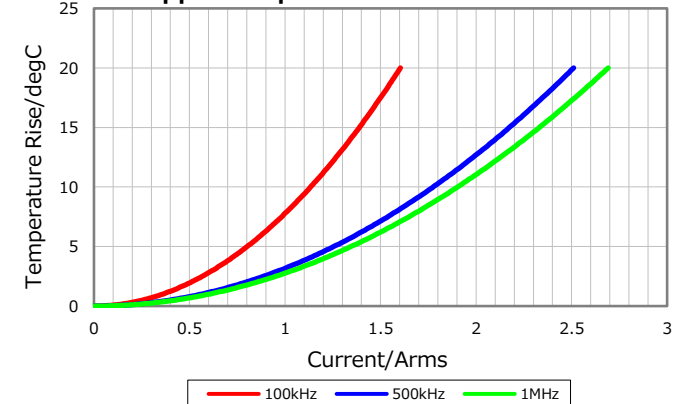
## Temperature Characteristics



## Cap. vs. Freq. Characteristic



## Ripple Temperature Rise Characteristics



Characterization Sheet ( Multilayer Ceramic Chip Capacitors )



⚠ All specifications are subject to change without notice.

August 17, 2020