

# C1608X7R1E105K080AE

TDK Item Description : C1608X7R1E105KT\*\*\*S

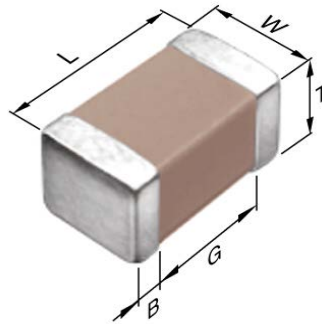


## Application & Main Feature

Commercial Grade ( Soft Termination )

## Series

C1608 [EIA CC0603]



## Dimensions

L	1.60mm +0.2,-0.1mm
W	0.80mm +0.15,-0.1mm
T	0.80mm +0.15,-0.1mm
B	0.20mm Min.
G	0.30mm Min.

## Temperature Characteristic

X7R (-55 to 125 degC +/-15%)

## Rated Voltage

1E (25Vdc)

## Capacitance

1uF

## Capacitance Tolerance

K (+/-10%)

## Dissipation Factor

7.5% Max.

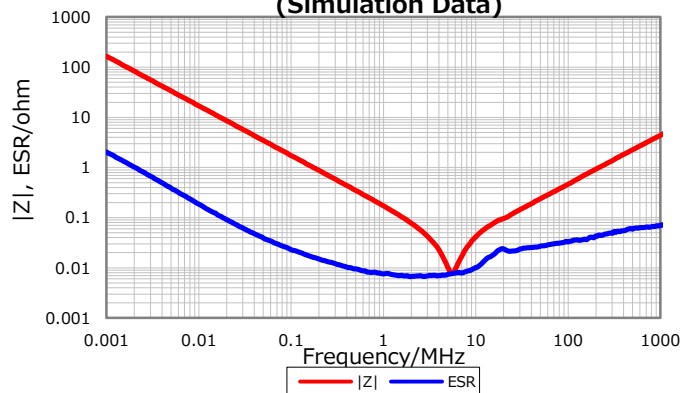
## Insulation Resistance

500Mohm Min.

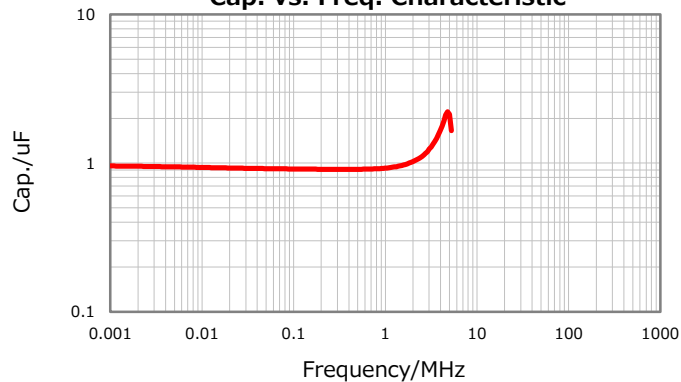
## AEC-Q200

Not Applicable

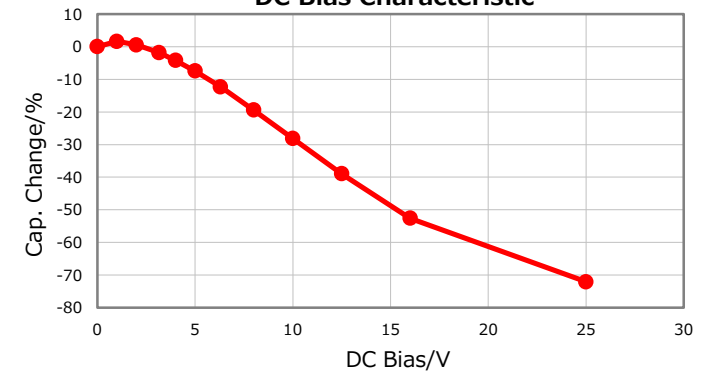
## |Z|, ESR vs. Freq. Characteristics (Simulation Data)



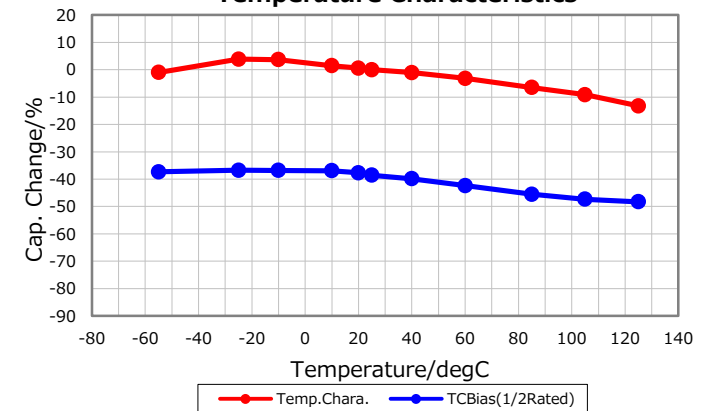
## Cap. vs. Freq. Characteristic



## DC Bias Characteristic



## Temperature Characteristics



## Ripple Temperature Rise Characteristics

