

C1608X7R1H224K080AE

TDK item description : C1608X7R1H224KT***S

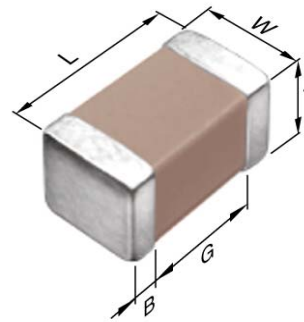


Application & Main Feature

Commercial grade (Soft termination)

Series

C1608 [EIA 0603]



Dimensions

L	1.60+0.20/-0.10 mm
W	0.80+0.15/-0.10 mm
T	0.80+0.10/-0.10 mm
B	0.20 mm min.
G	0.30 mm min.

Temperature Characteristic

X7R (-55 to +125 degC, ±15%)

Rated Voltage

1H (50Vdc)

Capacitance

220nF

Capacitance Tolerance

K (±10%)

Dissipation Factor

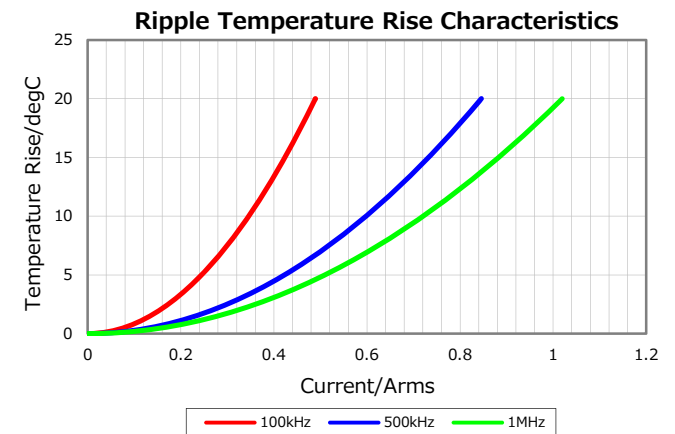
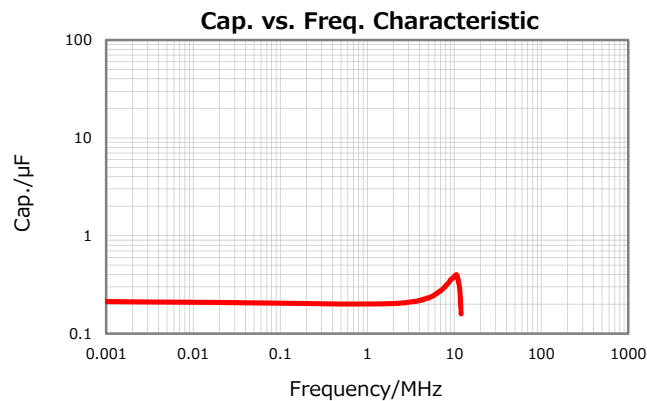
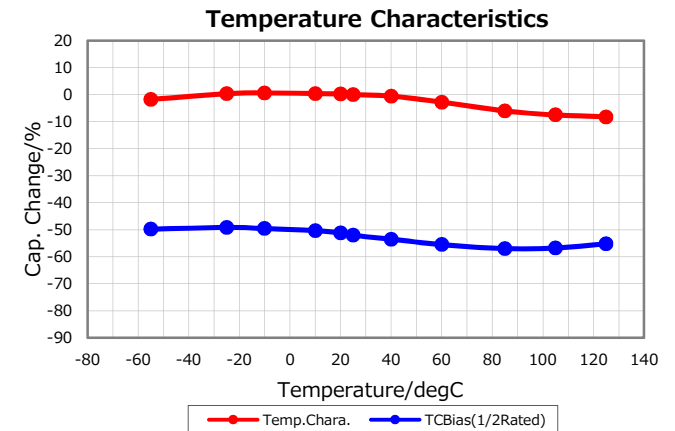
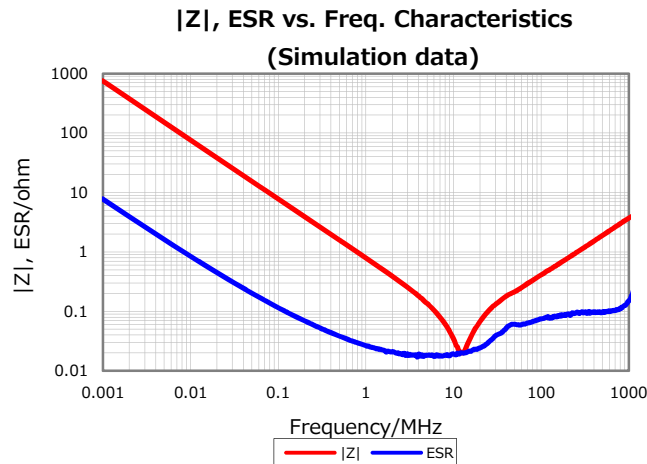
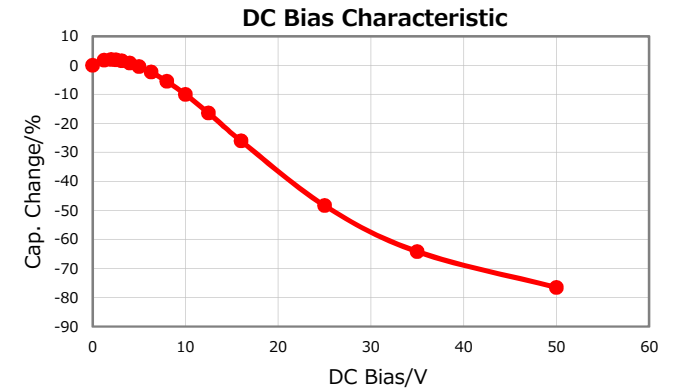
5 % max.

Insulation Resistance

2272 Mohm min.

AEC-Q200

No



Characterization Sheet (Multilayer Ceramic Chip Capacitors)



All specifications are subject to change without notice.

January 9, 2020