

C1608X7R1H224M080AE

TDK item description : C1608X7R1H224MT***S

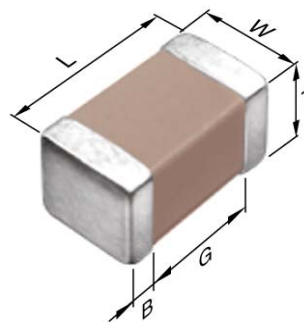


Application & Main Feature

Commercial grade (Soft termination)

Series

C1608 [EIA 0603]



Dimensions

L	1.60+0.20/-0.10 mm
W	0.80+0.15/-0.10 mm
T	0.80+0.10/-0.10 mm
B	0.20 mm min.
G	0.30 mm min.

Temperature Characteristic

X7R (-55 to +125 degC, ±15%)

Rated Voltage

1H (50Vdc)

Capacitance

220nF

Capacitance Tolerance

M (±20%)

Dissipation Factor

5 % max.

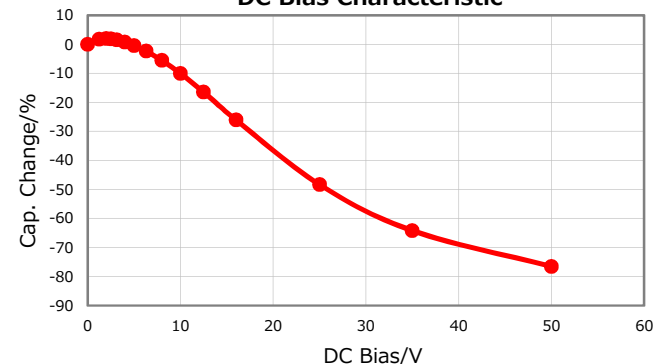
Insulation Resistance

2272 Mohm min.

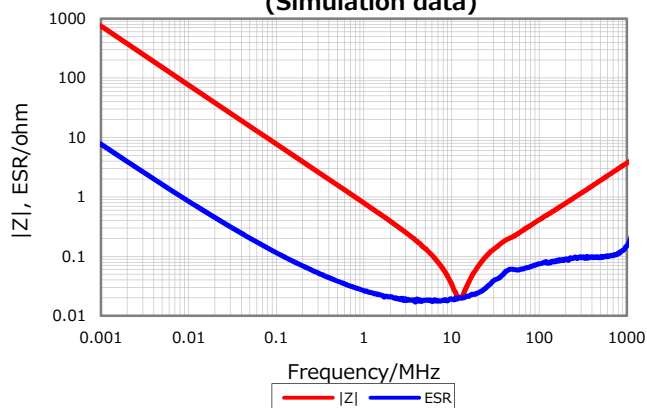
AEC-Q200

No

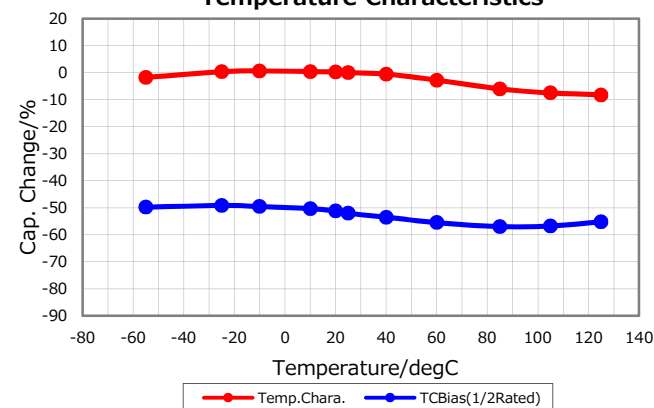
DC Bias Characteristic



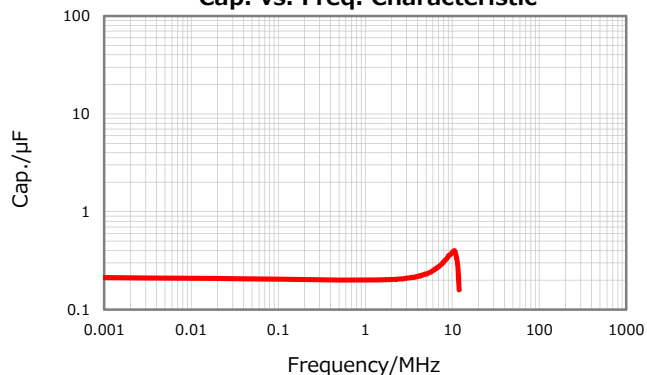
|Z|, ESR vs. Freq. Characteristics (Simulation data)



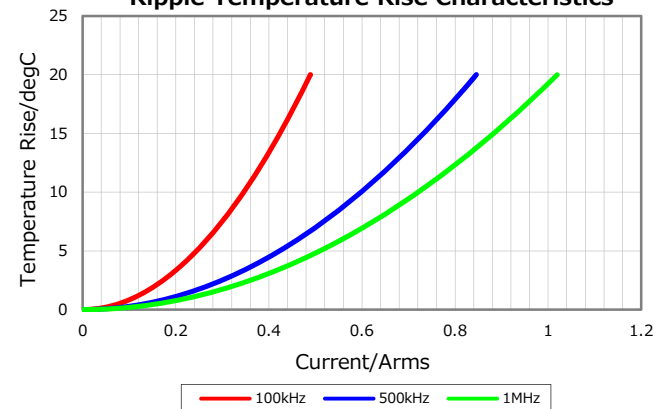
Temperature Characteristics



Cap. vs. Freq. Characteristic



Ripple Temperature Rise Characteristics



Characterization Sheet (Multilayer Ceramic Chip Capacitors)



All specifications are subject to change without notice.

January 9, 2020