

# C1608X7R1H474K080AE

TDK item description : C1608X7R1H474KT\*\*\*S

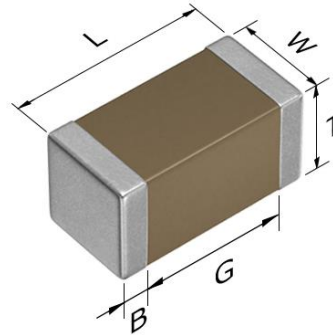


## Application & Main Feature

Commercial grade (Soft termination)

## Series

C1608 [EIA 0603]



## Dimensions

L 1.60+0.20,-0.10 mm  
 W 0.80+0.15,-0.10 mm  
 T 0.80+0.15,-0.10 mm  
 B 0.20 mm min.  
 G 0.30 mm min.

## Temperature Characteristic

X7R (-55 to +125 degC, ±15%)

## Rated Voltage

1H (50Vdc)

## Capacitance

470nF

## Capacitance Tolerance

K (±10%)

## DF

5 % max.

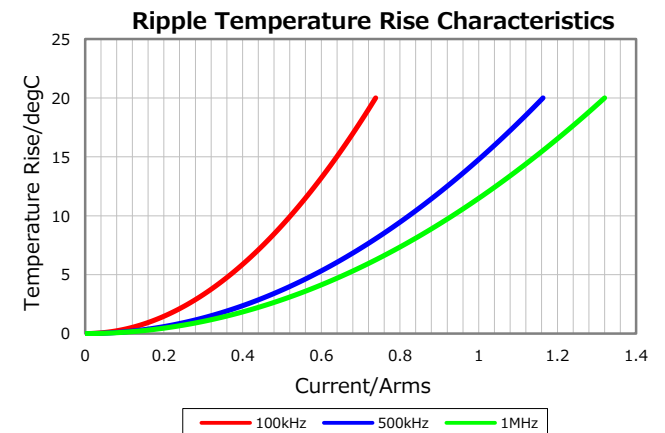
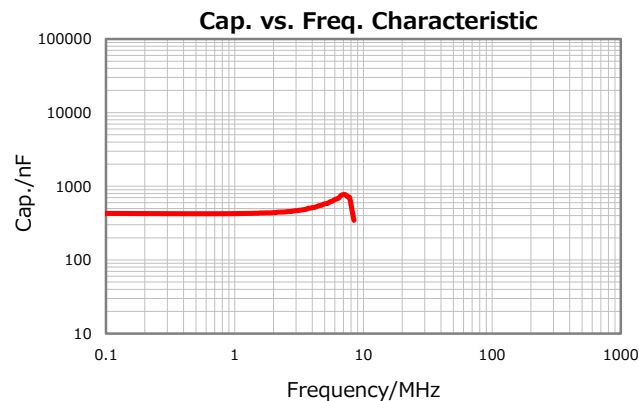
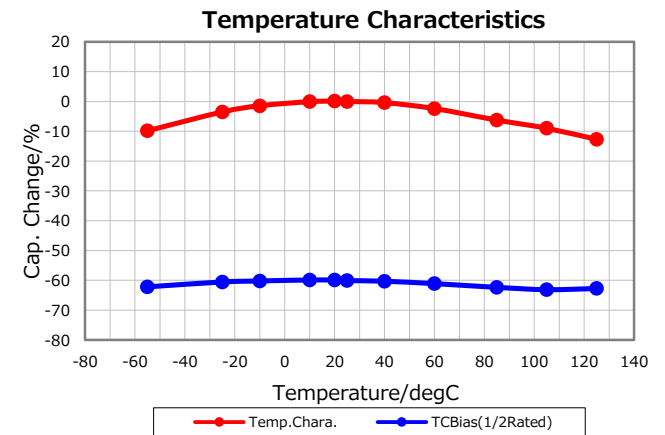
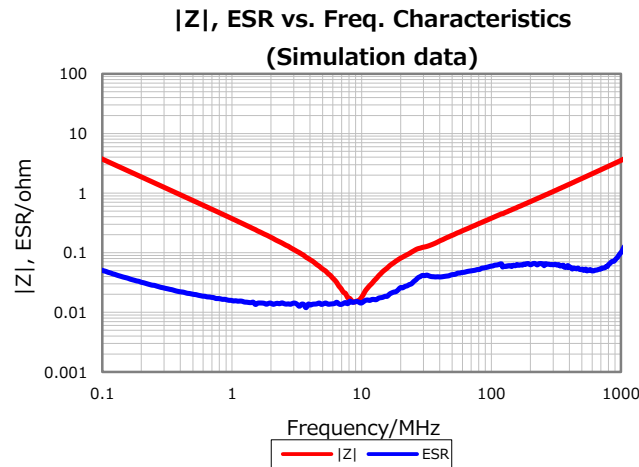
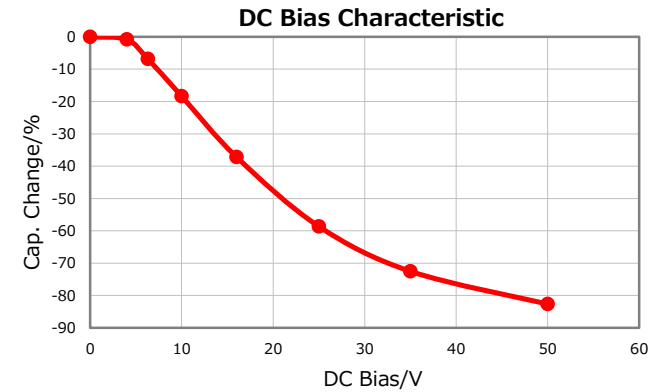
## Insulation Resistance

1063 Mohm min.

## AEC-Q200

Not Applicable

Characterization Sheet ( Multilayer Ceramic Chip Capacitors )



⚠ All specifications are subject to change without notice.

January 11, 2021