

C1608X7R1H474M080AE

TDK item description : C1608X7R1H474MT***S

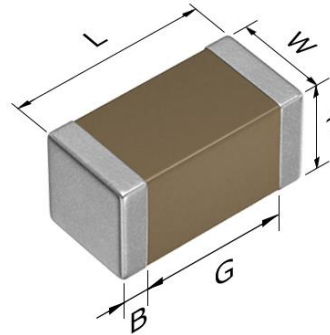


Application & Main Feature

Commercial grade (Soft termination)

Series

C1608 [EIA 0603]



Dimensions

L 1.60+0.20,-0.10 mm
 W 0.80+0.15,-0.10 mm
 T 0.80+0.15,-0.10 mm
 B 0.20 mm min.
 G 0.30 mm min.

Temperature Characteristic

X7R (-55 to +125 degC, ±15%)

Rated Voltage

1H (50Vdc)

Capacitance

470nF

Capacitance Tolerance

M (±20%)

DF

5 % max.

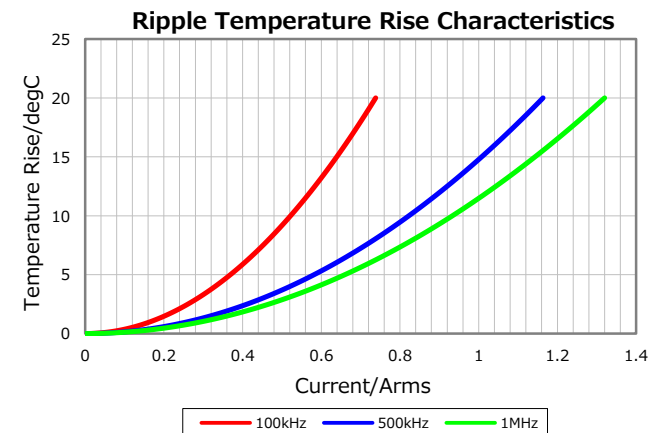
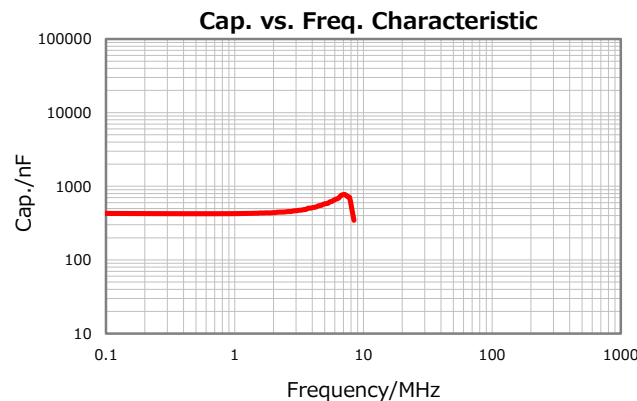
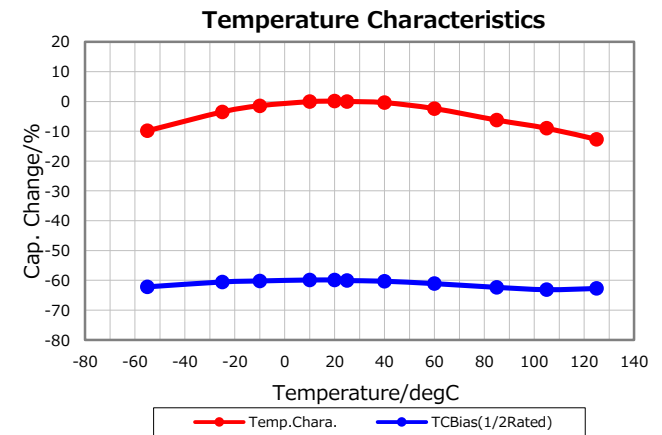
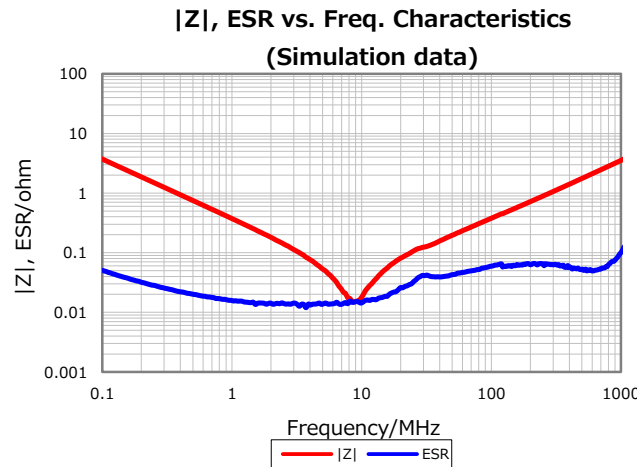
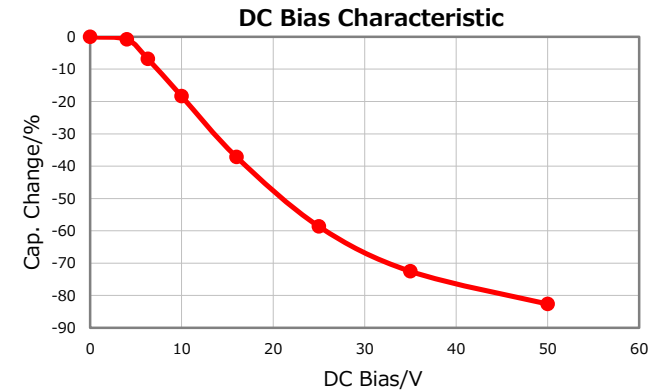
Insulation Resistance

1063 Mohm min.

AEC-Q200

Not Applicable

Characterization Sheet (Multilayer Ceramic Chip Capacitors)



⚠ All specifications are subject to change without notice.

January 11, 2021