

C1608X7R2A472M080AE

TDK Item Description : C1608X7R2A472MT***S

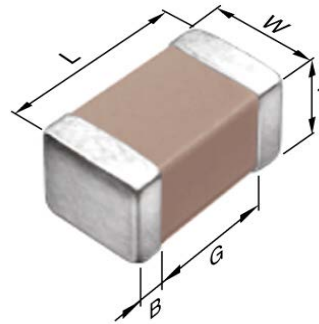


Application & Main Feature

Commercial Grade (Soft Termination)

Series

C1608 [EIA CC0603]



Dimensions

L	1.60mm +0.2,-0.1mm
W	0.80mm +0.15,-0.1mm
T	0.80mm +0.15,-0.1mm
B	0.20mm Min.
G	0.30mm Min.

Temperature Characteristic

X7R (-55 to 125 degC +/-15%)

Rated Voltage

2A (100Vdc)

Capacitance

4.7nF

Capacitance Tolerance

M (+/-20%)

Dissipation Factor

3% Max.

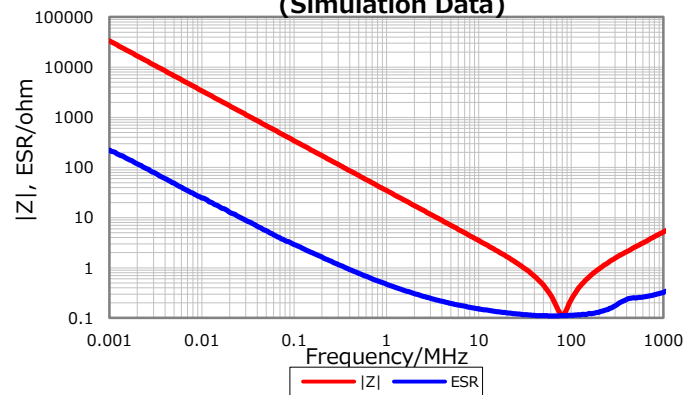
Insulation Resistance

10Gohm Min

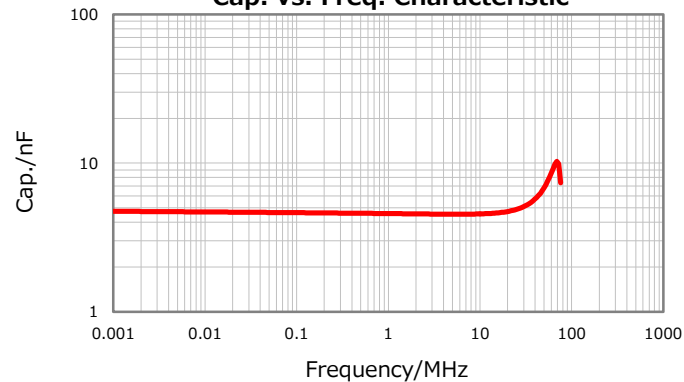
AEC-Q200

Not Applicable

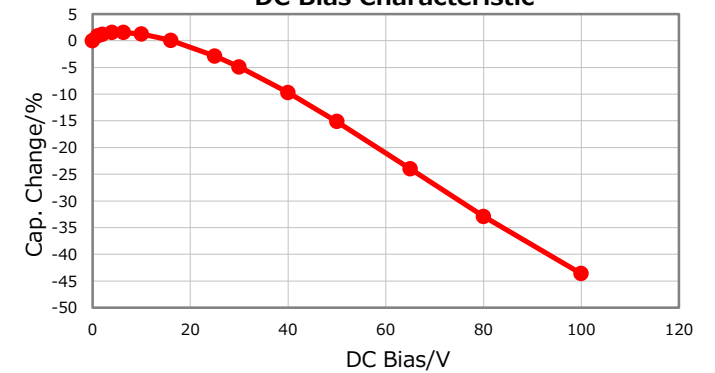
|Z|, ESR vs. Freq. Characteristics (Simulation Data)



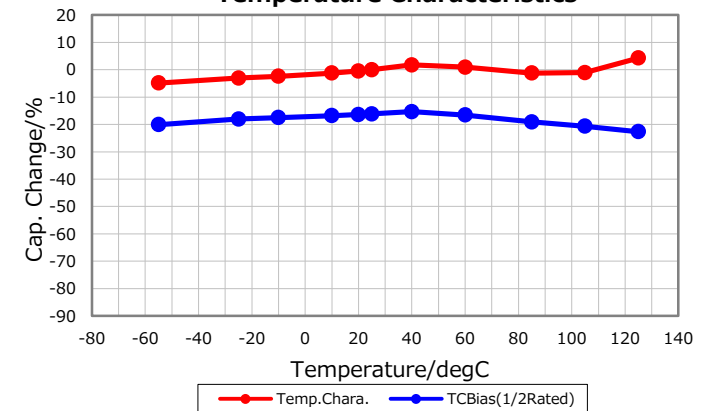
Cap. vs. Freq. Characteristic



DC Bias Characteristic



Temperature Characteristics



Ripple Temperature Rise Characteristics

