

C1608X7S0J106M080AC

TDK Item Description : C1608X7S0J106MT****

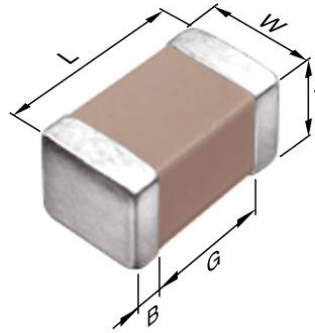


Application & Main Feature

Commercial Grade (General (Up to 50V))

Series

C1608 [EIA 0603]



Dimensions

L	1.60±0.20
W	0.80±0.20
T	0.80±0.20
B	0.20mm Min.
G	0.30mm Min.

Temperature Characteristic

X7S (-55 to 125 deg +/-22%)

Rated Voltage

0J (6.3Vdc)

Capacitance

10uF

Capacitance Tolerance

M (+/-20%)

Dissipation Factor

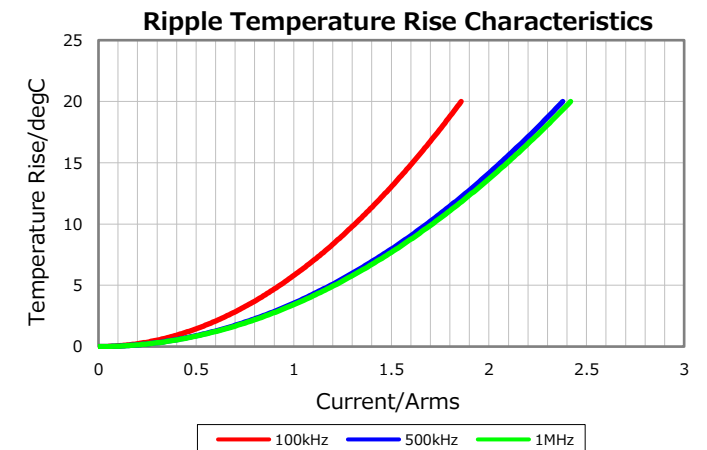
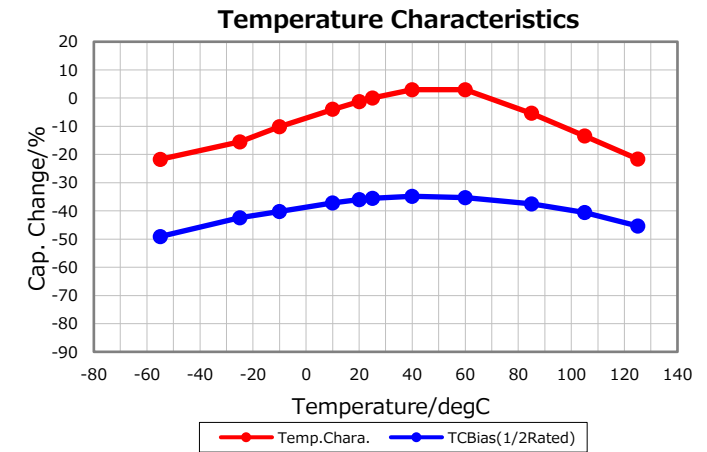
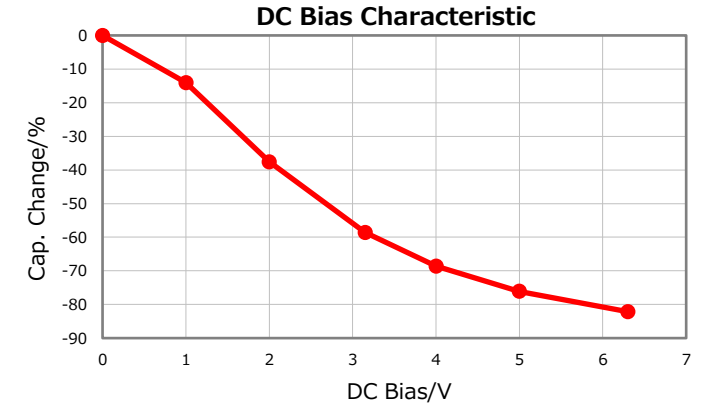
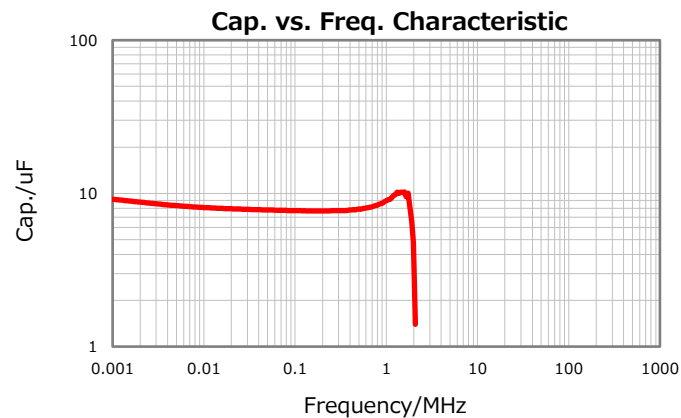
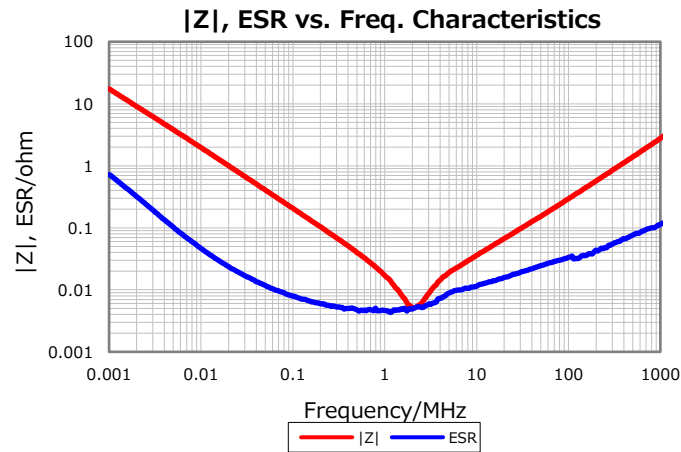
10% Max.

Insulation Resistance

10Mohm Min.

AEC-Q200

Not Applicable



Characterization Sheet [Multilayer Ceramic Chip Capacitors]



All specifications are subject to change without notice.

August 17, 2020