

# C1608X7S1C225M080AC

TDK item description : C1608X7S1C225MT\*\*\*\*

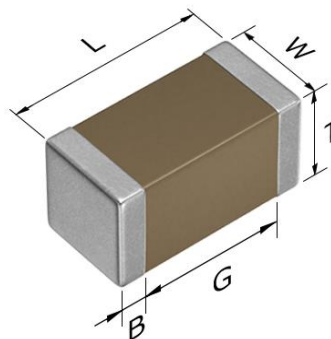


## Application & Main Feature

Commercial grade (General type)

## Series

C1608 [EIA 0603]



## Dimensions

L 1.60±0.10 mm  
 W 0.80±0.10 mm  
 T 0.80±0.10 mm  
 B 0.20 mm min.  
 G 0.30 mm min.

## Temperature Characteristic

X7S (-55 to +125 degC, ±22%)

## Rated Voltage

1C (16Vdc)

## Capacitance

2.2µF

## Capacitance Tolerance

M (±20%)

## DF

7.5 % max.

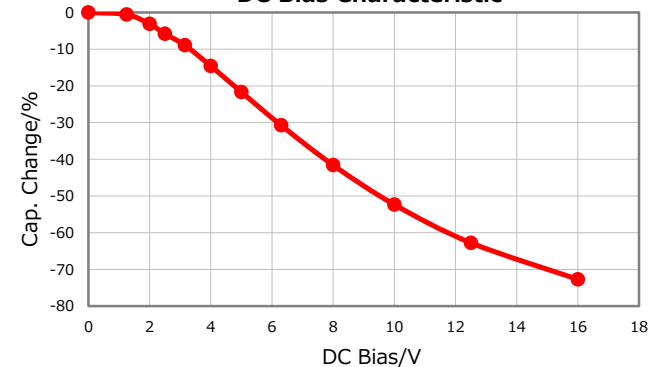
## Insulation Resistance

45 Mohm min.

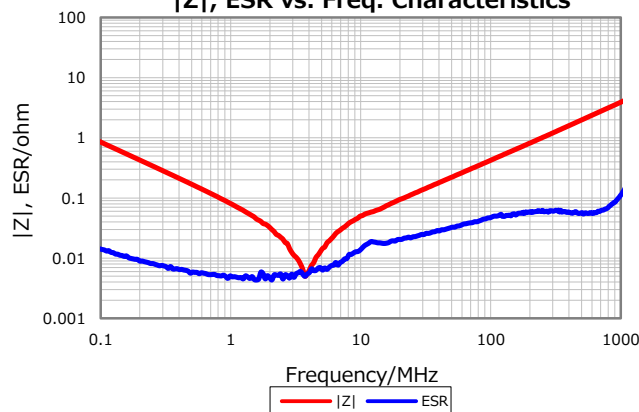
## AEC-Q200

Not Applicable

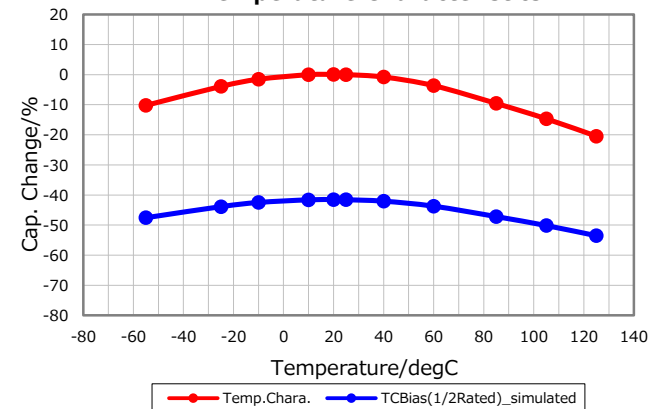
## DC Bias Characteristic



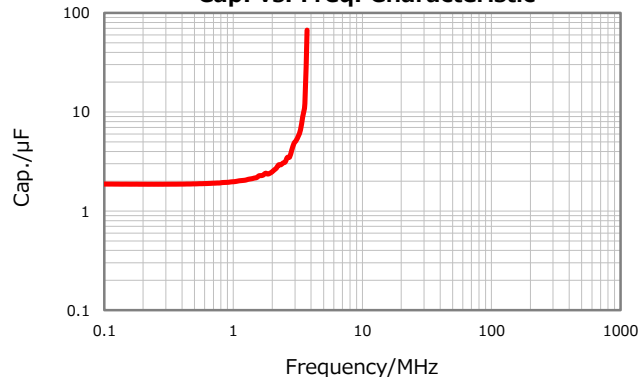
## |Z|, ESR vs. Freq. Characteristics



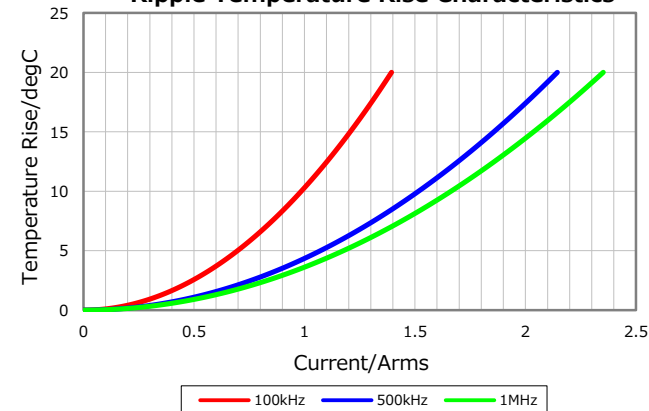
## Temperature Characteristics



## Cap. vs. Freq. Characteristic



## Ripple Temperature Rise Characteristics



Characterization Sheet ( Multilayer Ceramic Chip Capacitors )



⚠ All specifications are subject to change without notice.

January 10, 2021