

C1608X8L1C105K080AC

TDK item description : C1608X8L1C105KT****

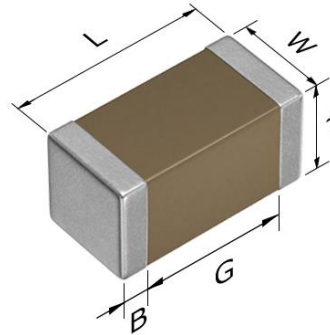


Application & Main Feature

Commercial grade (General type)

Series

C1608 [EIA 0603]



Dimensions

L 1.60±0.10 mm
 W 0.80±0.10 mm
 T 0.80±0.10 mm
 B 0.20 mm min.
 G 0.30 mm min.

Temperature Characteristic

X8L (-55 to +150 degC, +15/-40%)

Rated Voltage

1C (16Vdc)

Capacitance

1µF

Capacitance Tolerance

K (±10%)

DF

5 % max.

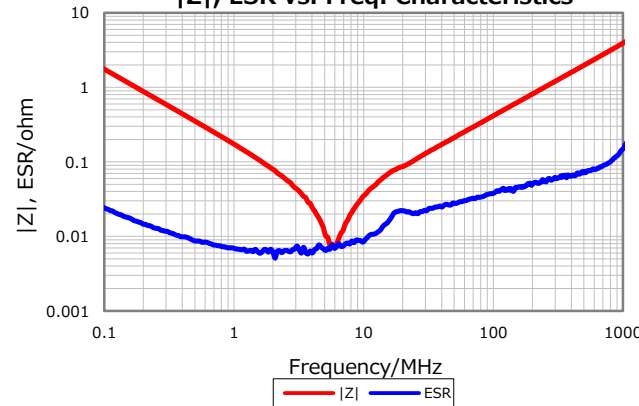
Insulation Resistance

100 Mohm min.

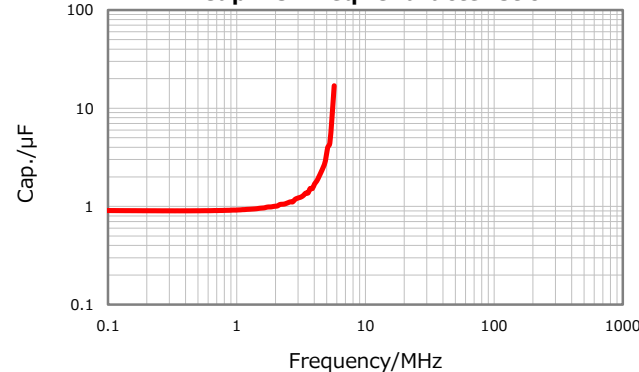
AEC-Q200

Not Applicable

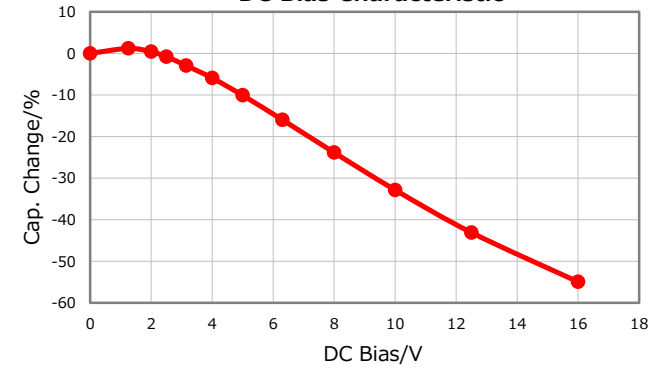
|Z|, ESR vs. Freq. Characteristics



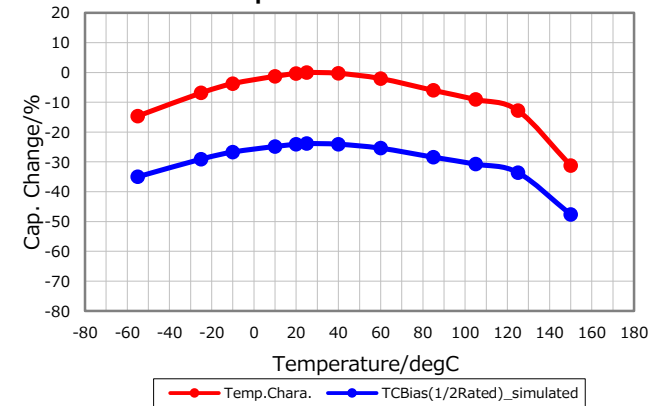
Cap. vs. Freq. Characteristic



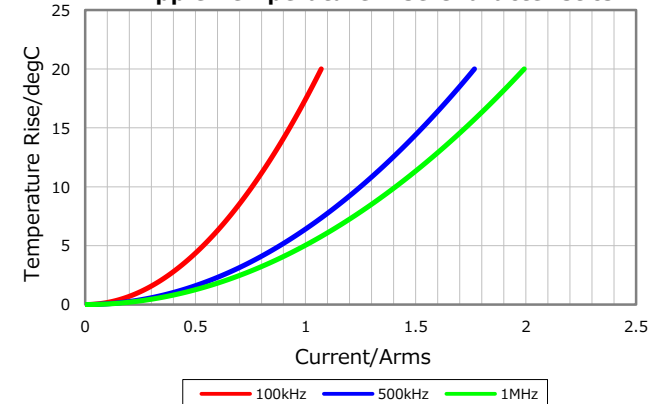
DC Bias Characteristic



Temperature Characteristics



Ripple Temperature Rise Characteristics



Characterization Sheet (Multilayer Ceramic Chip Capacitors)



⚠ All specifications are subject to change without notice.

January 11, 2021