

# C1608X8R1C334K080AB

TDK Item Description : C1608X8R1C334KT\*\*\*\*

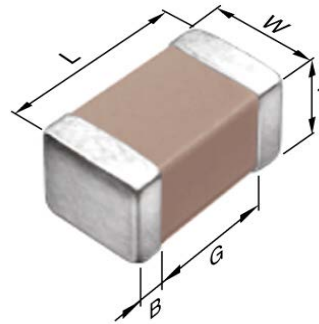


## Application & Main Feature

Commercial Grade ( High Temperature Application )

## Series

C1608 [EIA 0603]



## Dimensions

L	1.60mm +/-0.1mm
W	0.80mm +/-0.1mm
T	0.80mm +/-0.1mm
B	0.20mm Min.
G	0.30mm Min.

## Temperature Characteristic

X8R (-55 to 150 deg +/-15%)

## Rated Voltage

1C (16Vdc)

## Capacitance

330nF

## Capacitance Tolerance

K (+/-10%)

## Dissipation Factor

5% Max.

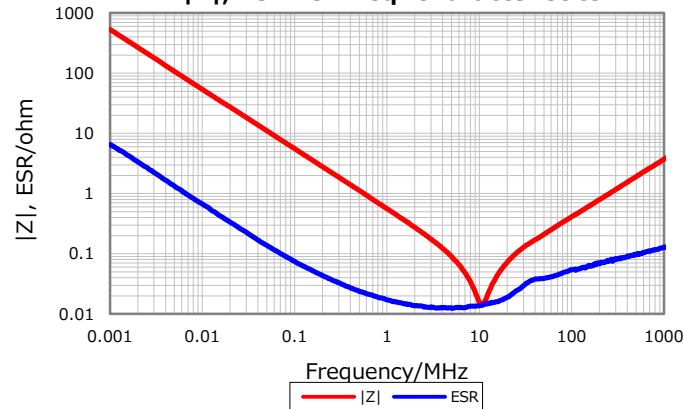
## Insulation Resistance

303Mohm Min.

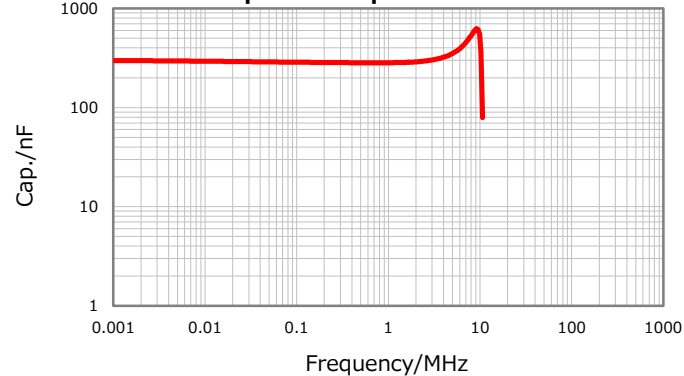
## AEC-Q200

Not Applicable

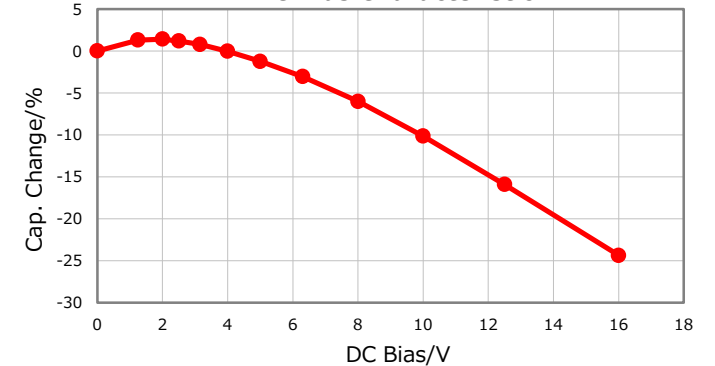
## |Z|, ESR vs. Freq. Characteristics



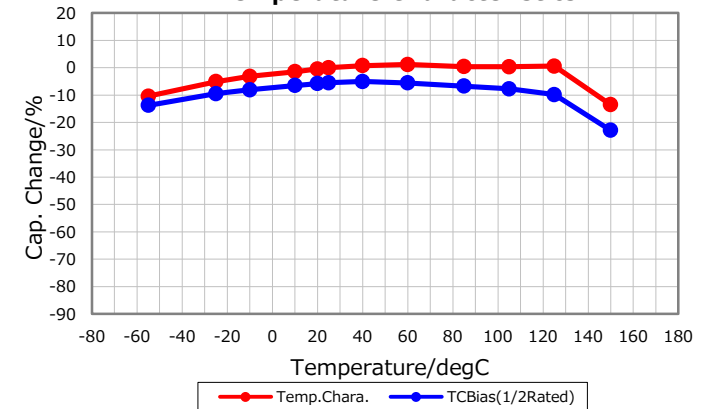
## Cap. vs. Freq. Characteristic



## DC Bias Characteristic



## Temperature Characteristics



## Ripple Temperature Rise Characteristics

