

# C1608X8R1H102K080AE

TDK Item Description : C1608X8R1H102KT\*\*\*S

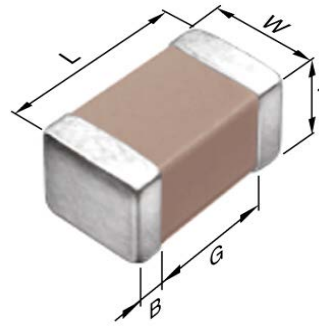


## Application & Main Feature

Commercial Grade ( Soft Termination )

## Series

C1608 [EIA CC0603]



## Dimensions

|   |                     |
|---|---------------------|
| L | 1.60mm +0.2,-0.1mm  |
| W | 0.80mm +0.15,-0.1mm |
| T | 0.80mm +0.15,-0.1mm |
| B | 0.20mm Min.         |
| G | 0.30mm Min.         |

## Temperature Characteristic

X8R (-55 to 150 degC +/-15%)

## Rated Voltage

1H (50Vdc)

## Capacitance

1nF

## Capacitance Tolerance

K (+/-10%)

## Dissipation Factor

3% Max.

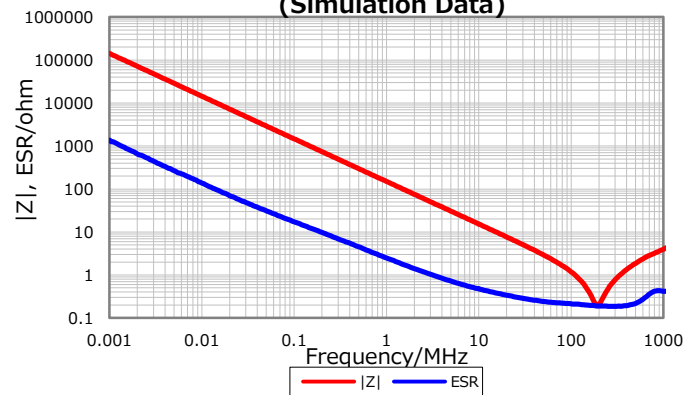
## Insulation Resistance

10Gohm Min

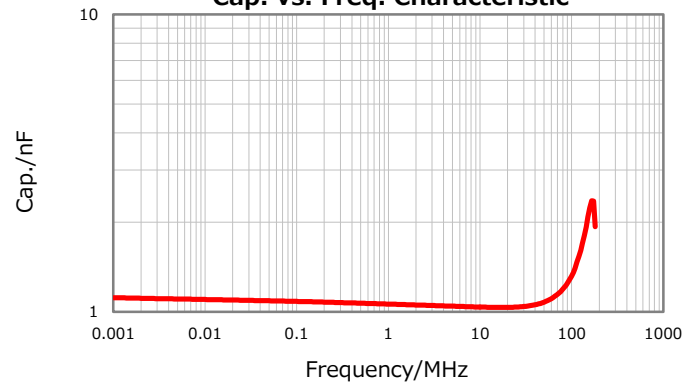
## AEC-Q200

Not Applicable

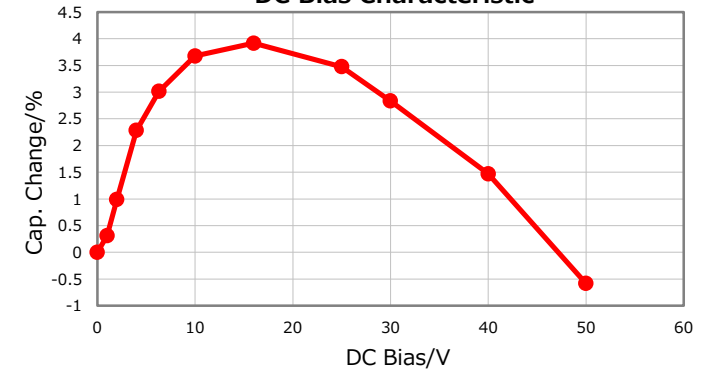
## |Z|, ESR vs. Freq. Characteristics (Simulation Data)



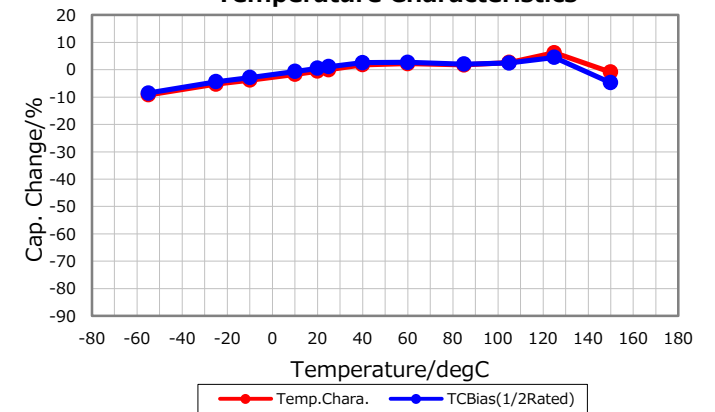
## Cap. vs. Freq. Characteristic



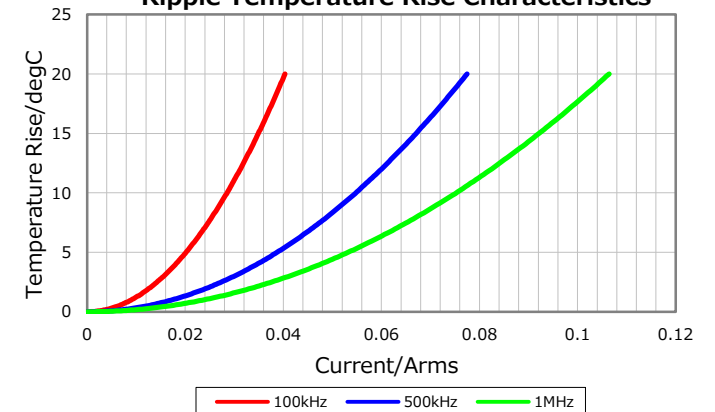
## DC Bias Characteristic



## Temperature Characteristics



## Ripple Temperature Rise Characteristics



Characterization Sheet ( Multilayer Ceramic Chip Capacitors )



All specifications are subject to change without notice.

March 16, 2017