

# C2012C0G1H222J060AA

TDK Item Description : C2012C0G1H222JT\*\*\*\*

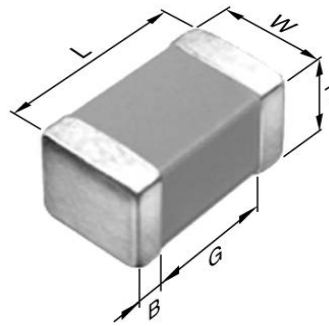


## Application & Main Feature

Commercial Grade(Up to 50V)

## Series

C2012 [EIA 0805]



## Dimensions

L	2.00mm ±0.20mm
W	1.25mm ±0.20mm
T	0.60mm ±0.15mm
B	0.20mm Min.
G	0.50mm Min.

## Temperature Characteristic

C0G (-55 to 125 degC 0+/-30ppm/degC)

## Rated Voltage

1H(50Vdc)

## Capacitance

2.2nF

## Capacitance Tolerance

J (±5%)

## Q Factor

1000 Min.

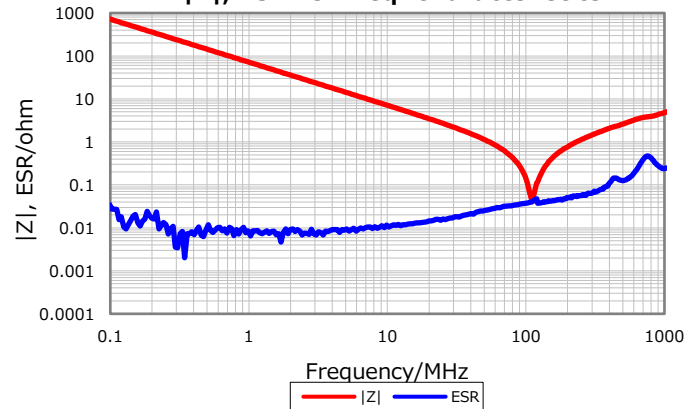
## Insulation Resistance

10Gohm Min

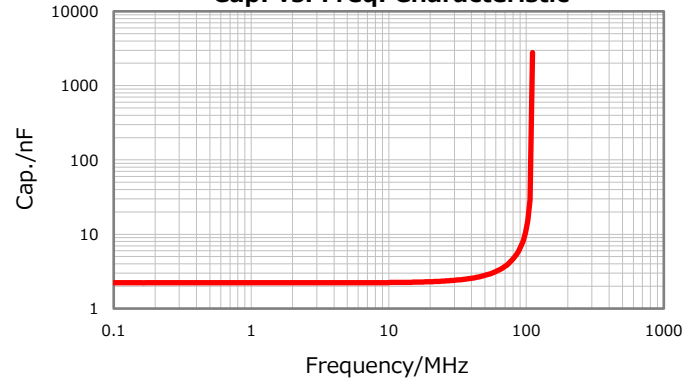
## AEC-Q200

Not Applicable

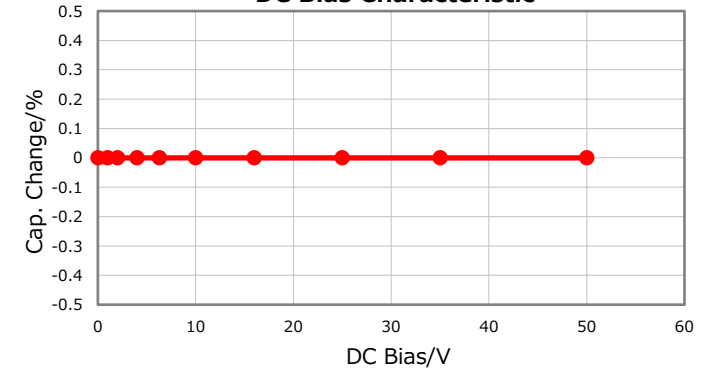
## |Z|, ESR vs. Freq. Characteristics



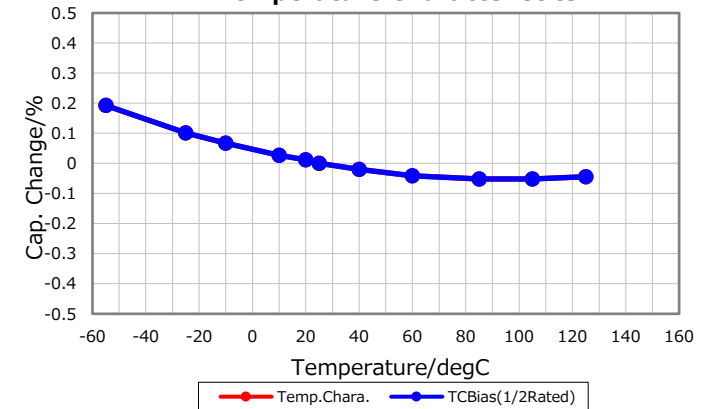
## Cap. vs. Freq. Characteristic



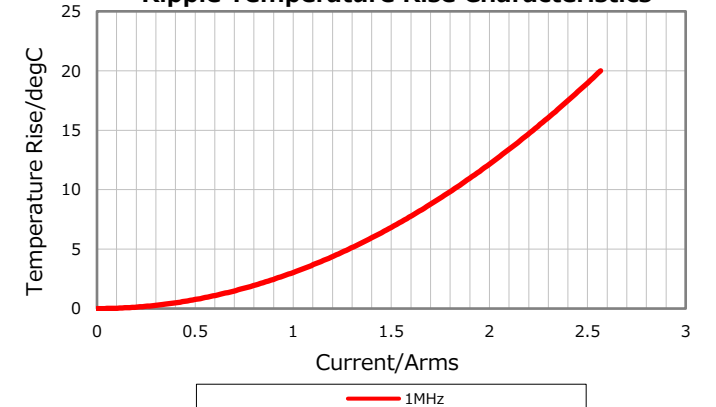
## DC Bias Characteristic



## Temperature Characteristics



## Ripple Temperature Rise Characteristics



Characterization Sheet ( Multilayer Ceramic Chip Capacitors )



All specifications are subject to change without notice.

May 21, 2019