

C2012X7R1H105M125AE

TDK item description : C2012X7R1H105MT***S

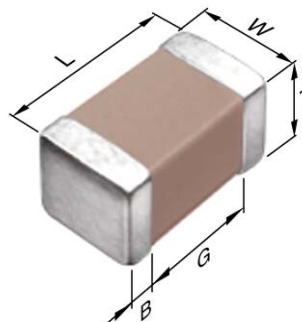


Application & Main Feature

Commercial grade (Soft termination)

Series

C2012 [EIA 0805]



Dimensions

L	2.00+0.45/-0.20 mm
W	1.25+0.25/-0.20 mm
T	1.25+0.25/-0.20 mm
B	0.20 mm min.
G	0.50 mm min.

Temperature Characteristic

X7R (-55 to +125 degC, ±15%)

Rated Voltage

1H (50Vdc)

Capacitance

1μF

Capacitance Tolerance

M (±20%)

Dissipation Factor

5 % max.

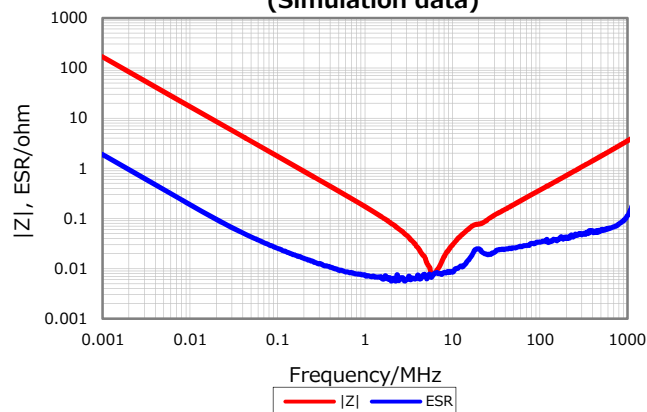
Insulation Resistance

500 Mohm min.

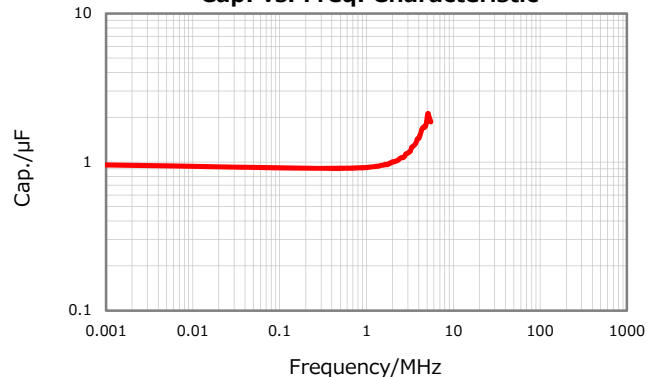
AEC-Q200

Not Applicable

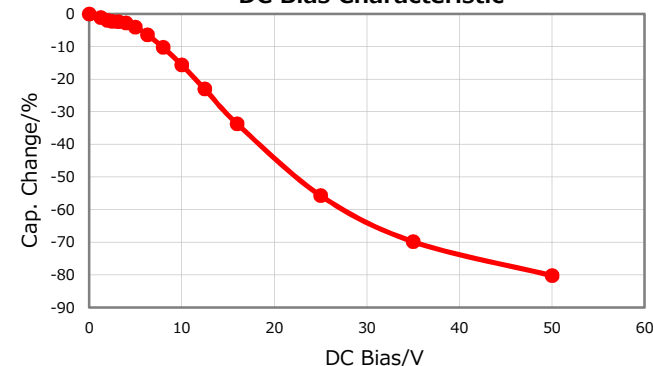
|Z|, ESR vs. Freq. Characteristics (Simulation data)



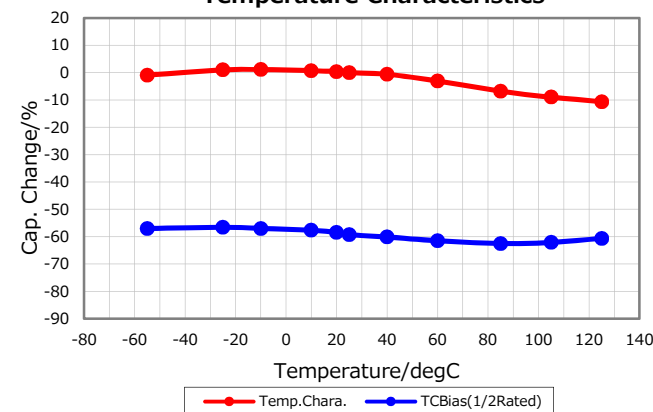
Cap. vs. Freq. Characteristic



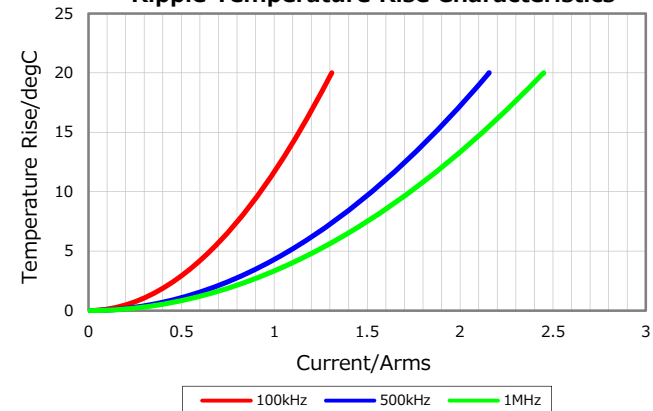
DC Bias Characteristic



Temperature Characteristics



Ripple Temperature Rise Characteristics



Characterization Sheet (Multilayer Ceramic Chip Capacitors)



All specifications are subject to change without notice.

January 13, 2020