

C2012X7R1H225K125AE

TDK item description : C2012X7R1H225KT***S

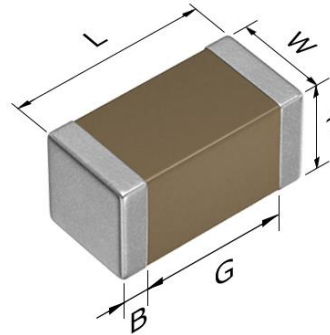


Application & Main Feature

Commercial grade (Soft termination)

Series

C2012 [EIA 0805]



Dimensions

L 2.00+0.45,-0.20 mm
 W 1.25+0.25,-0.20 mm
 T 1.25+0.25,-0.20 mm
 B 0.20 mm min.
 G 0.50 mm min.

Temperature Characteristic

X7R (-55 to +125 degC, ±15%)

Rated Voltage

1H (50Vdc)

Capacitance

2.2µF

Capacitance Tolerance

K (±10%)

DF

5 % max.

Insulation Resistance

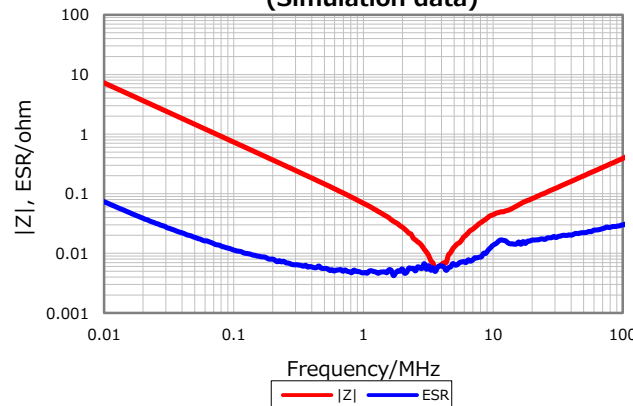
227 Mohm min.

AEC-Q200

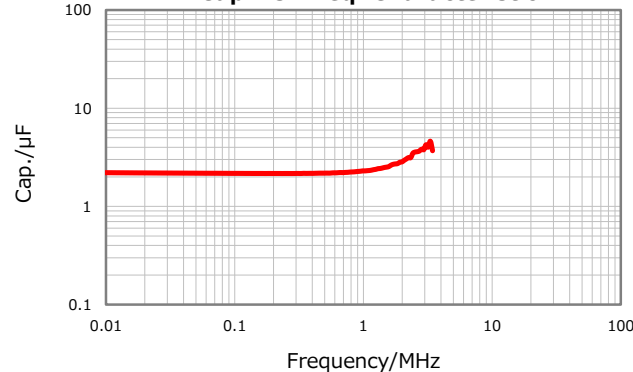
Not Applicable

Characterization Sheet (Multilayer Ceramic Chip Capacitors)

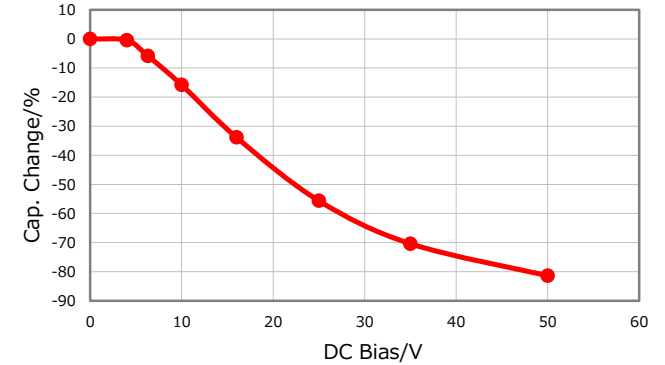
|Z|, ESR vs. Freq. Characteristics (Simulation data)



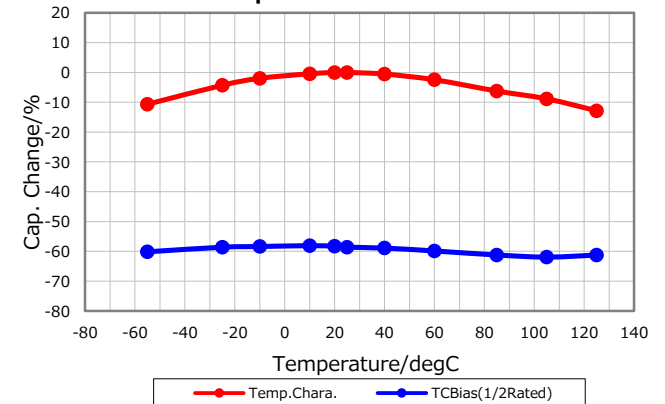
Cap. vs. Freq. Characteristic



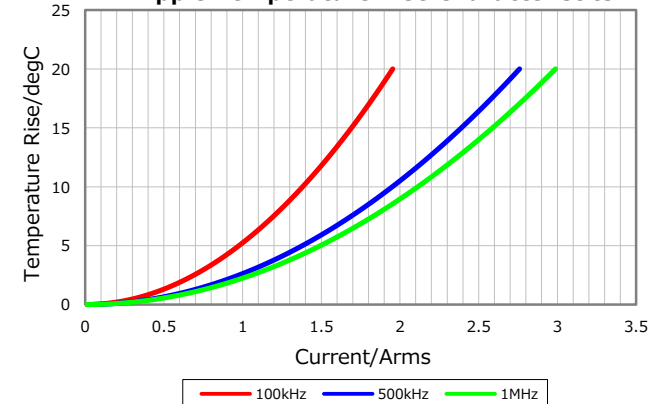
DC Bias Characteristic



Temperature Characteristics



Ripple Temperature Rise Characteristics



⚠ All specifications are subject to change without notice.

January 18, 2021