

C2012X7R1V105K125AE

TDK item description : C2012X7R1V105KT***S

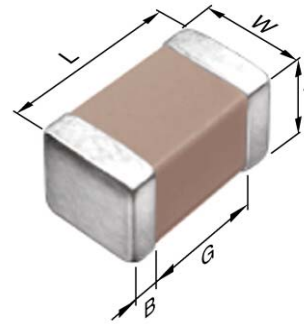


Application & Main Feature

Commercial grade (Soft termination)

Series

C2012 [EIA 0805]



Dimensions

L	2.00+0.45/-0.20 mm
W	1.25+0.25/-0.20 mm
T	1.25+0.25/-0.20 mm
B	0.20 mm min.
G	0.50 mm min.

Temperature Characteristic

X7R (-55 to +125 degC, ±15%)

Rated Voltage

1V (35Vdc)

Capacitance

1µF

Capacitance Tolerance

K (±10%)

Dissipation Factor

5 % max.

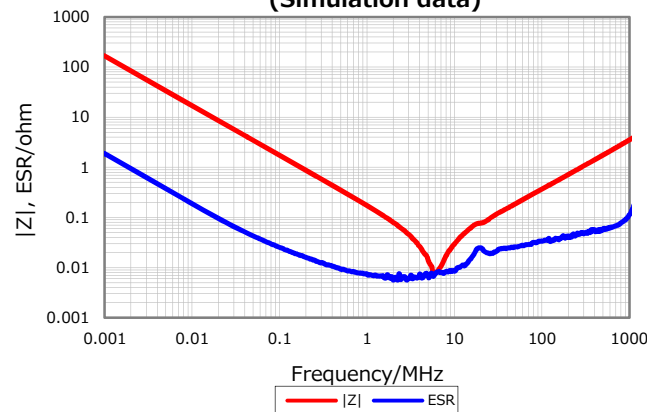
Insulation Resistance

500 Mohm min.

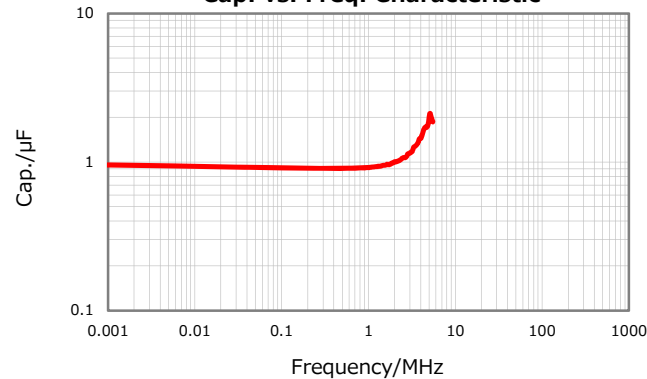
AEC-Q200

Not Applicable

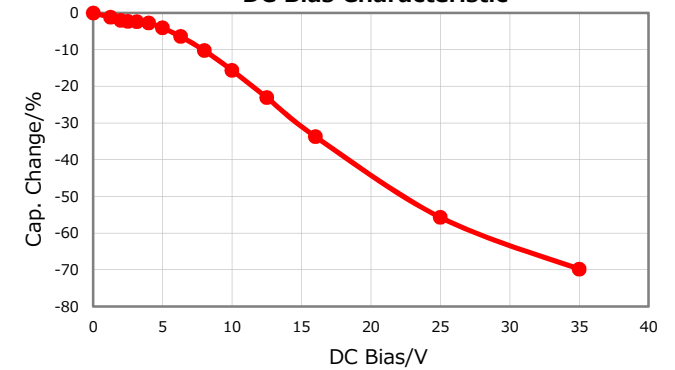
**|Z|, ESR vs. Freq. Characteristics
(Simulation data)**



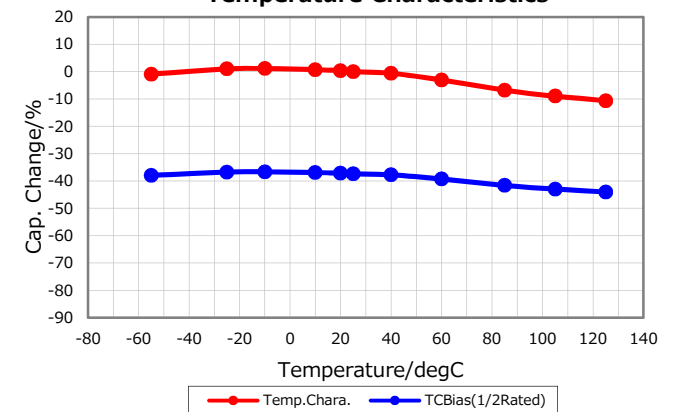
Cap. vs. Freq. Characteristic



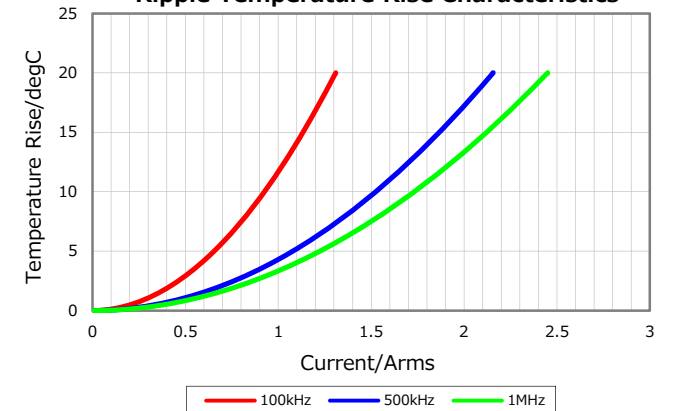
DC Bias Characteristic



Temperature Characteristics



Ripple Temperature Rise Characteristics



Characterization Sheet (Multilayer Ceramic Chip Capacitors)



All specifications are subject to change without notice.

January 13, 2020