

C2012X7S0J226M125AC

TDK Item Description : C2012X7S0J226MT****

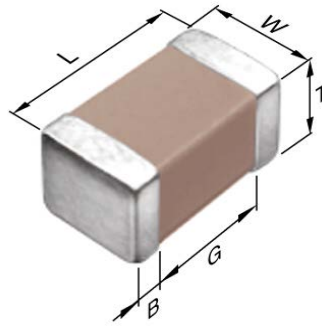


Application & Main Feature

Commercial Grade (General (Up to 50V))

Series

C2012 [EIA 0805]



Dimensions

L	2.00mm +/-0.2mm
W	1.25mm +/-0.2mm
T	1.25mm +/-0.2mm
B	0.20mm Min.
G	0.50mm Min.

Temperature Characteristic

X7S (-55 to 125 degC +/-22%)

Rated Voltage

0J (6.3Vdc)

Capacitance

22uF

Capacitance Tolerance

M (+/-20%)

Dissipation Factor

10% Max.

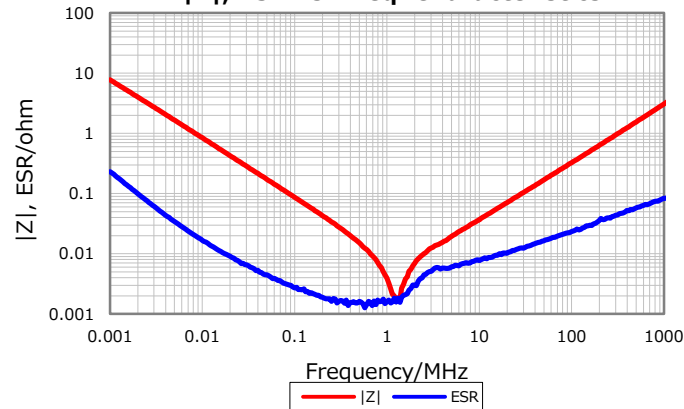
Insulation Resistance

4Mohm Min.

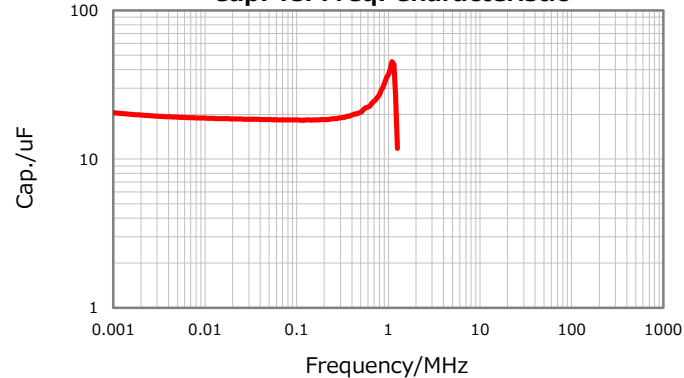
AEC-Q200

Not Applicable

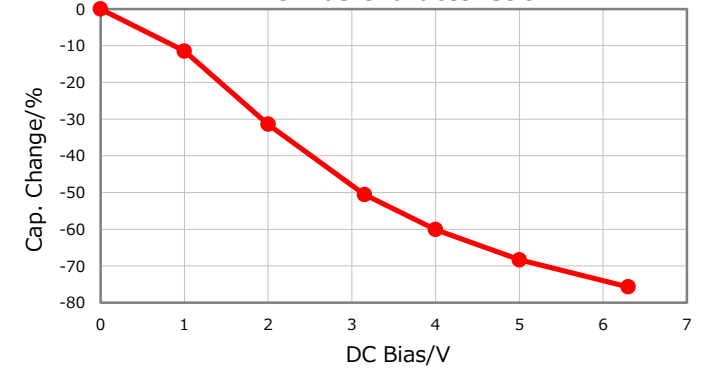
|Z|, ESR vs. Freq. Characteristics



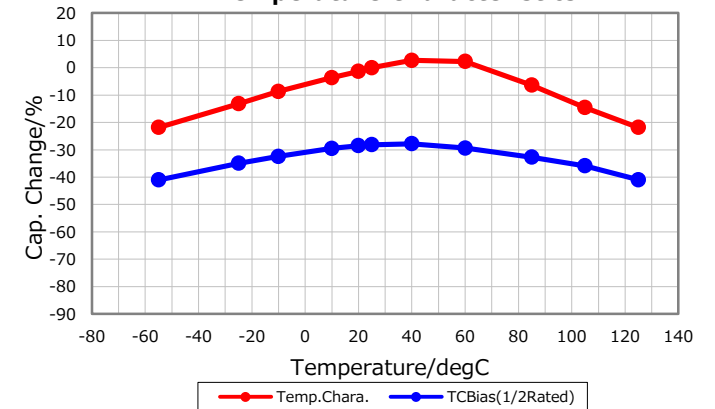
Cap. vs. Freq. Characteristic



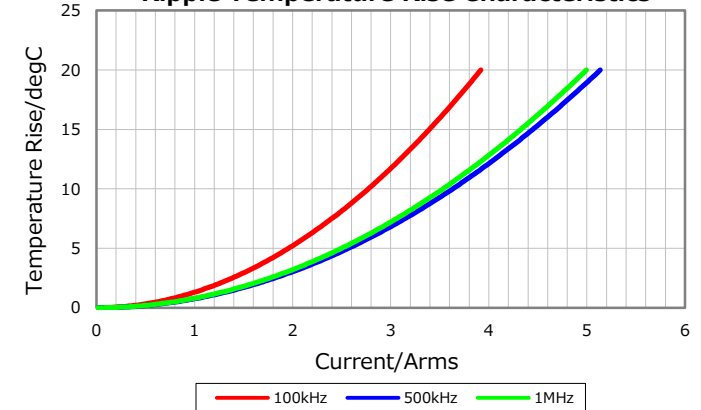
DC Bias Characteristic



Temperature Characteristics



Ripple Temperature Rise Characteristics



Characterization Sheet (Multilayer Ceramic Chip Capacitors)



All specifications are subject to change without notice.

June 27, 2018