

C2012X7S1C106M125AC

TDK item description : C2012X7S1C106MT****

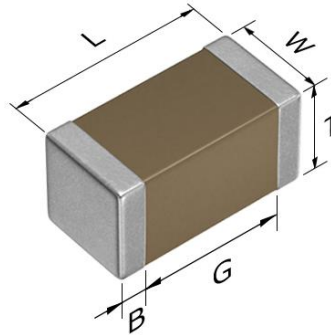


Application & Main Feature

Commercial grade (General type)

Series

C2012 [EIA 0805]



Dimensions

L 2.00±0.20 mm
 W 1.25±0.20 mm
 T 1.25±0.20 mm
 B 0.20 mm min.
 G 0.50 mm min.

Temperature Characteristic

X7S (-55 to +125 degC, ±22%)

Rated Voltage

1C (16Vdc)

Capacitance

10µF

Capacitance Tolerance

M (±20%)

DF

7.5 % max.

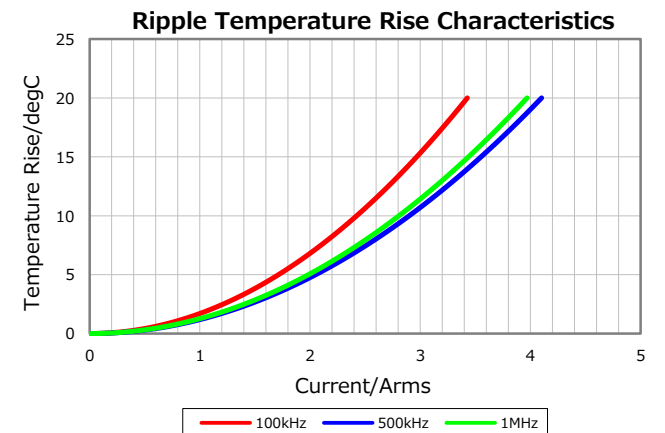
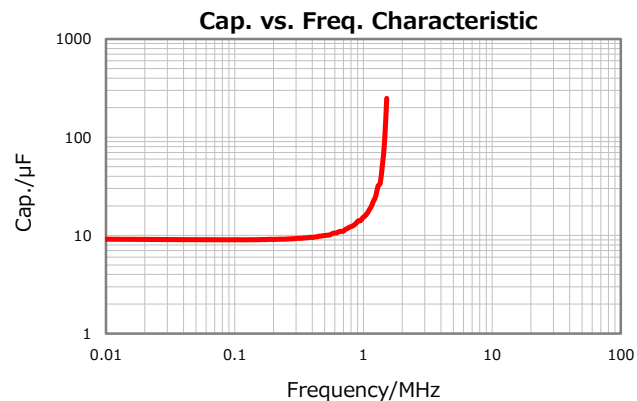
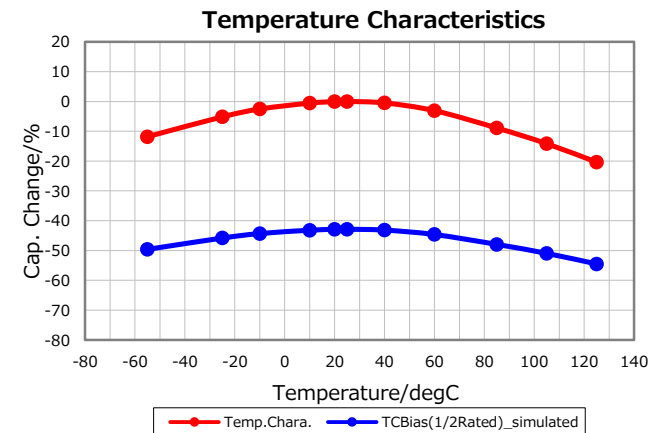
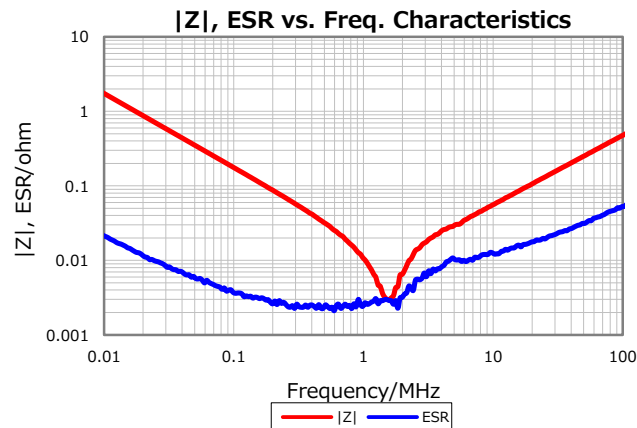
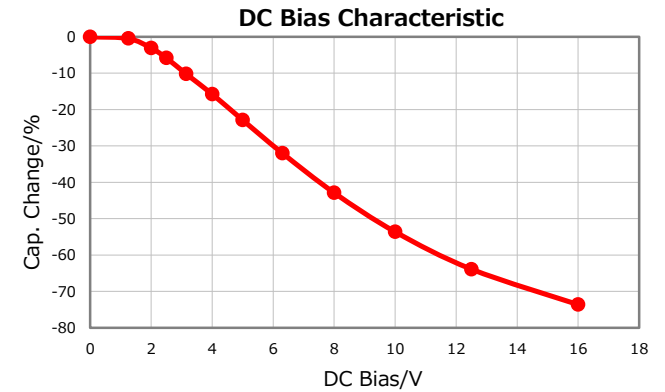
Insulation Resistance

10 Mohm min.

AEC-Q200

Not Applicable

Characterization Sheet (Multilayer Ceramic Chip Capacitors)



⚠ All specifications are subject to change without notice.

January 16, 2021