

C2012X8L0J106K125AC

TDK item description : C2012X8L0J106KT****

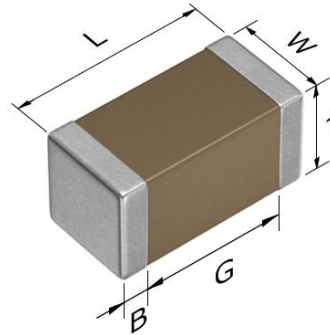


Application & Main Feature

Commercial grade (General type)

Series

C2012 [EIA 0805]



Dimensions

L 2.00±0.20 mm
 W 1.25±0.20 mm
 T 1.25±0.20 mm
 B 0.20 mm min.
 G 0.50 mm min.

Temperature Characteristic

X8L (-55 to +150 degC, +15/-40%)

Rated Voltage

0J (6.3Vdc)

Capacitance

10µF

Capacitance Tolerance

K (±10%)

DF

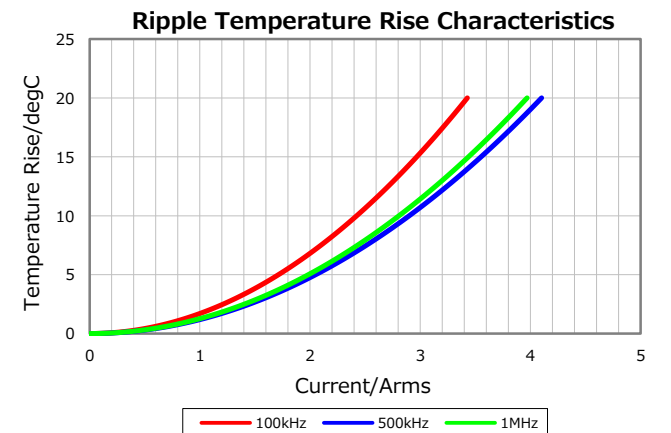
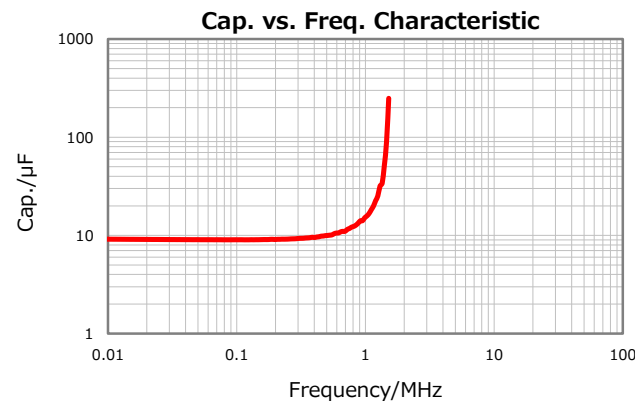
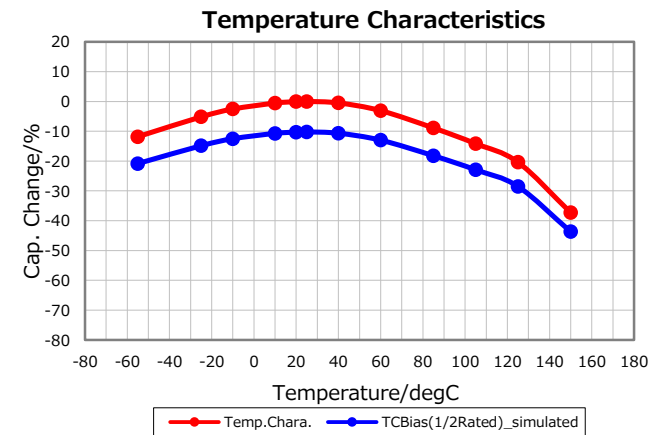
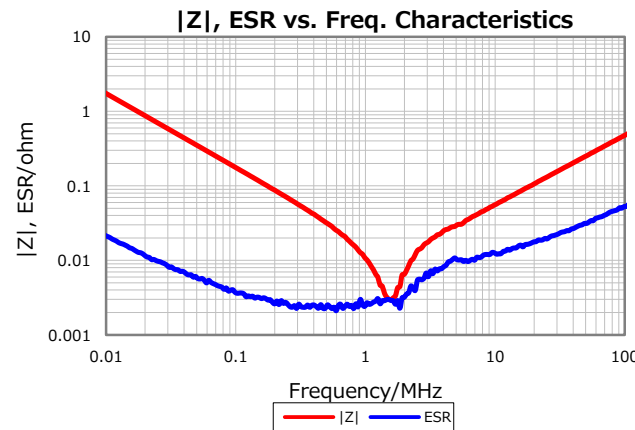
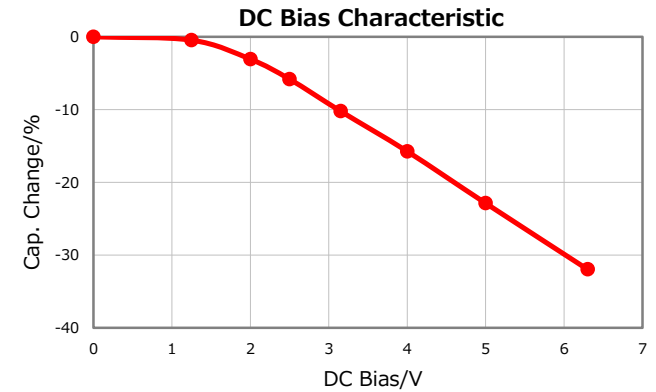
7.5 % max.

Insulation Resistance

10 Mohm min.

AEC-Q200

Not Applicable



Characterization Sheet (Multilayer Ceramic Chip Capacitors)



⚠ All specifications are subject to change without notice.

January 16, 2021