

# C2012X8R1C684K125AE

TDK Item Description : C2012X8R1C684KT\*\*\*S

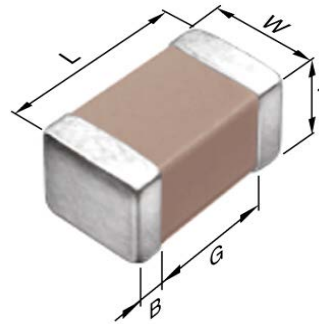


## Application & Main Feature

Commercial Grade ( Soft Termination )

## Series

C2012 [EIA 0805]



## Dimensions

L	2.00mm +0.45,-0.2mm
W	1.25mm +0.25,-0.2mm
T	1.25mm +0.25,-0.2mm
B	0.20mm Min.
G	0.50mm Min.

## Temperature Characteristic

X8R (-55 to 150 degC ±15%)

## Rated Voltage

1C (16Vdc)

## Capacitance

680nF

## Capacitance Tolerance

K (+/-10%)

## Dissipation Factor

5% Max.

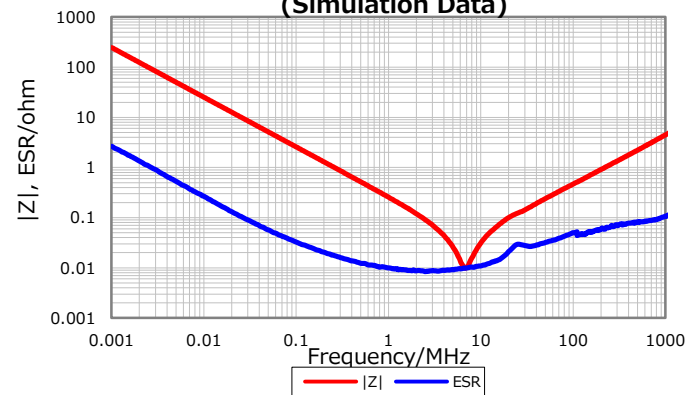
## Insulation Resistance

147Mohm Min.

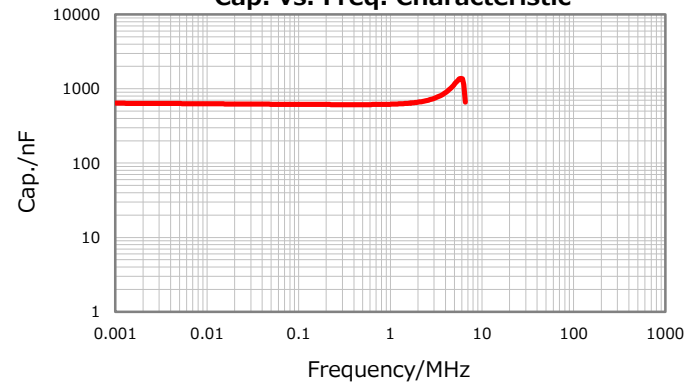
## AEC-Q200

Not Applicable

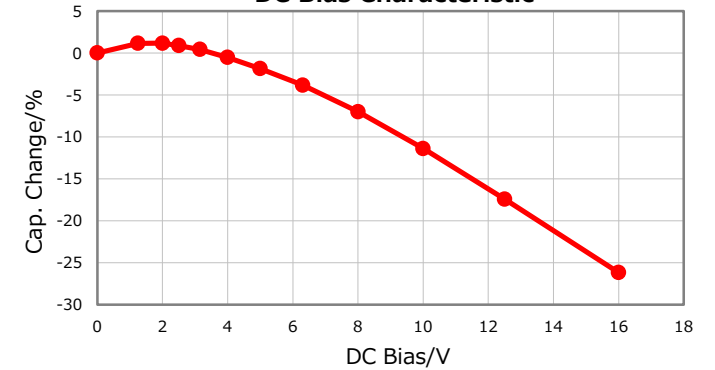
## |Z|, ESR vs. Freq. Characteristics (Simulation Data)



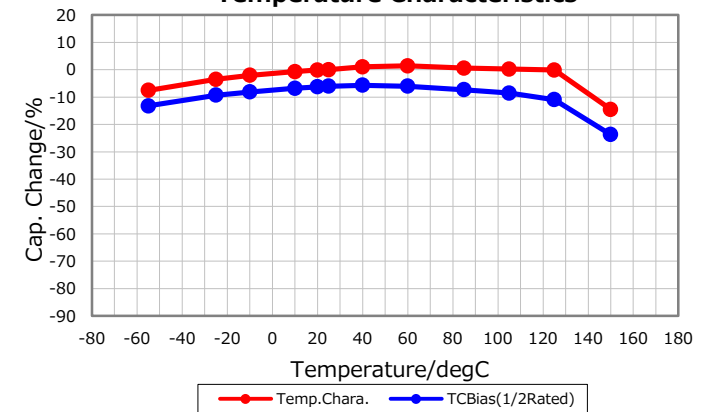
## Cap. vs. Freq. Characteristic



## DC Bias Characteristic



## Temperature Characteristics



## Ripple Temperature Rise Characteristics

