

C2012X8R1E474K125AE

TDK Item Description : C2012X8R1E474KT***S

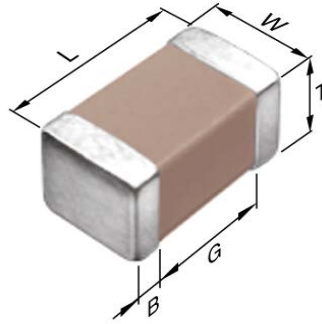


Application & Main Feature

Commercial Grade (Soft Termination)

Series

C2012 [EIA CC0805]



Dimensions

| | |
|---|---------------------|
| L | 2.00mm +0.45,-0.2mm |
| W | 1.25mm +0.25,-0.2mm |
| T | 1.25mm +0.25,-0.2mm |
| B | 0.20mm Min. |
| G | 0.50mm Min. |

Temperature Characteristic

X8R (-55 to 150 degC +/-15%)

Rated Voltage

1E (25Vdc)

Capacitance

470nF

Capacitance Tolerance

K (+/-10%)

Dissipation Factor

3% Max.

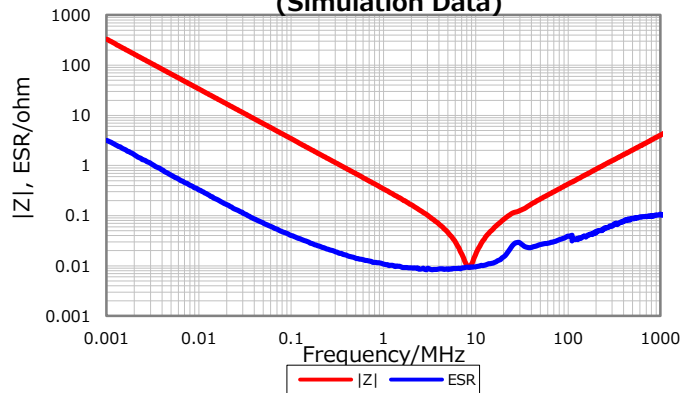
Insulation Resistance

1.063Gohm Min

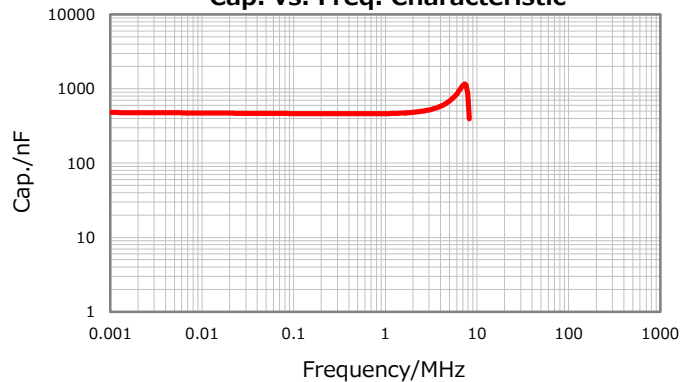
AEC-Q200

Not Applicable

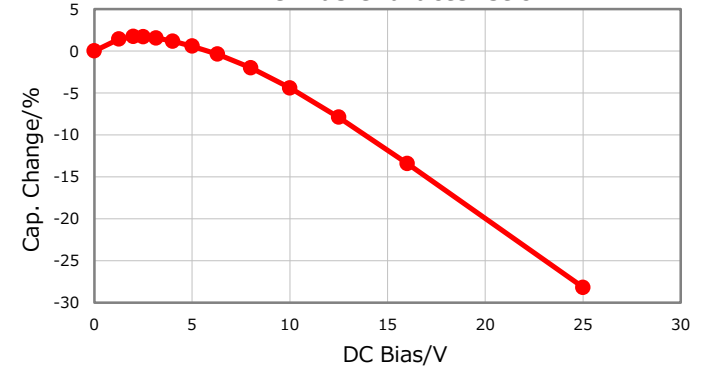
**|Z|, ESR vs. Freq. Characteristics
(Simulation Data)**



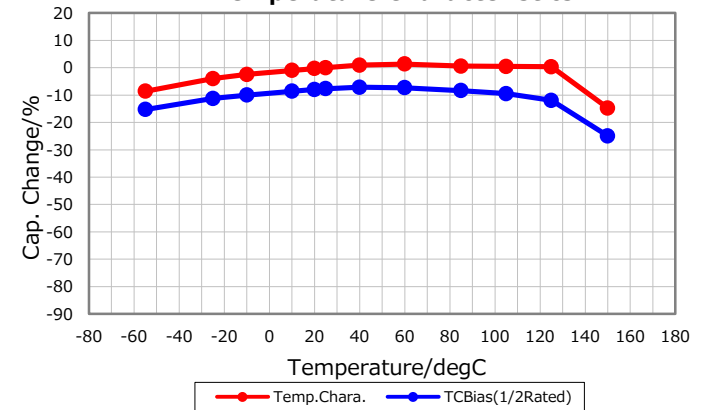
Cap. vs. Freq. Characteristic



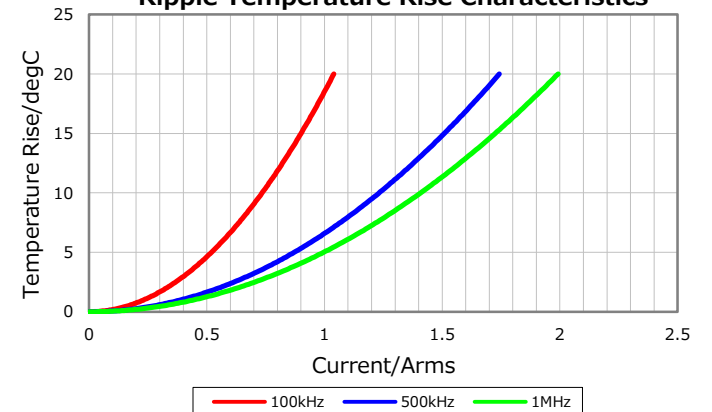
DC Bias Characteristic



Temperature Characteristics



Ripple Temperature Rise Characteristics



Characterization Sheet (Multilayer Ceramic Chip Capacitors)



All specifications are subject to change without notice.

March 16, 2017