

C2012X8R1E684M125AE

TDK Item Description : C2012X8R1E684MT***S

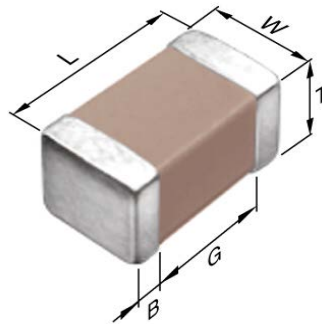


Application & Main Feature

Commercial Grade (Soft Termination)

Series

C2012 [EIA 0805]



Dimensions

| | |
|---|---------------------|
| L | 2.00mm +0.45,-0.2mm |
| W | 1.25mm +0.25,-0.2mm |
| T | 1.25mm +0.25,-0.2mm |
| B | 0.20mm Min. |
| G | 0.50mm Min. |

Temperature Characteristic

X8R (-55 to 150 degC ±15%)

Rated Voltage

1E (25Vdc)

Capacitance

680nF

Capacitance Tolerance

M (+/-20%)

Dissipation Factor

5% Max.

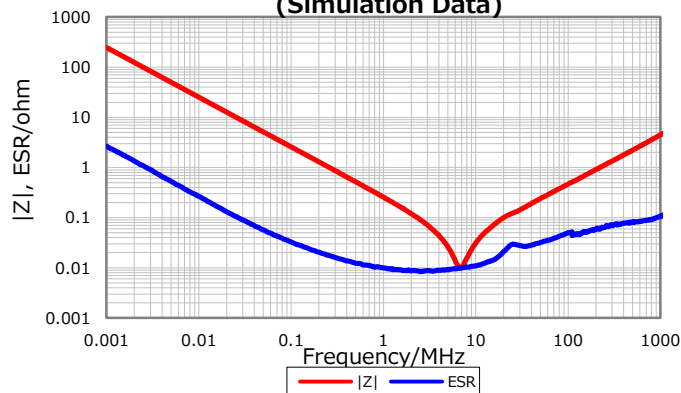
Insulation Resistance

735Mohm Min.

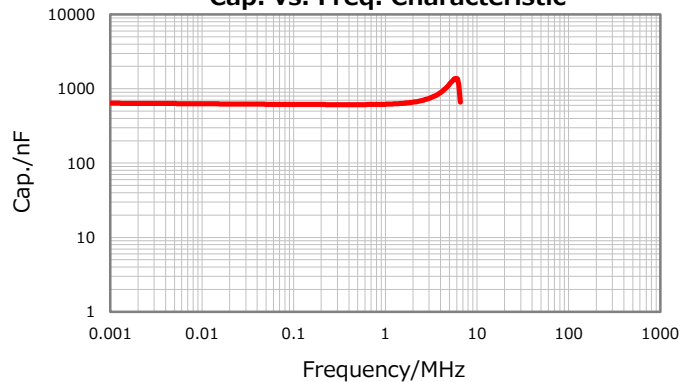
AEC-Q200

Not Applicable

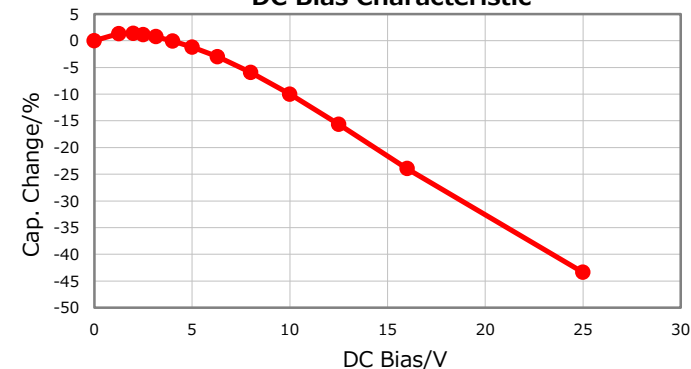
|Z|, ESR vs. Freq. Characteristics (Simulation Data)



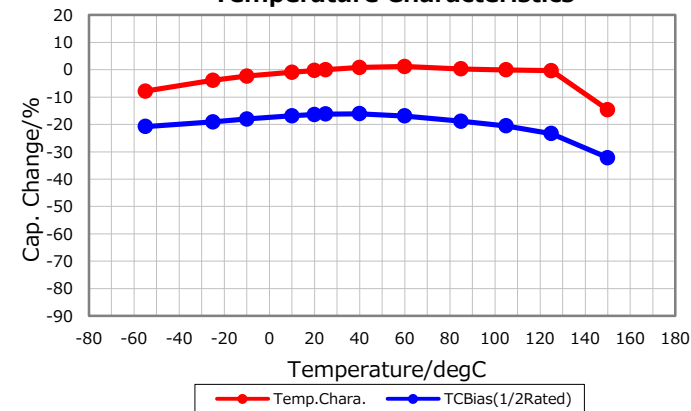
Cap. vs. Freq. Characteristic



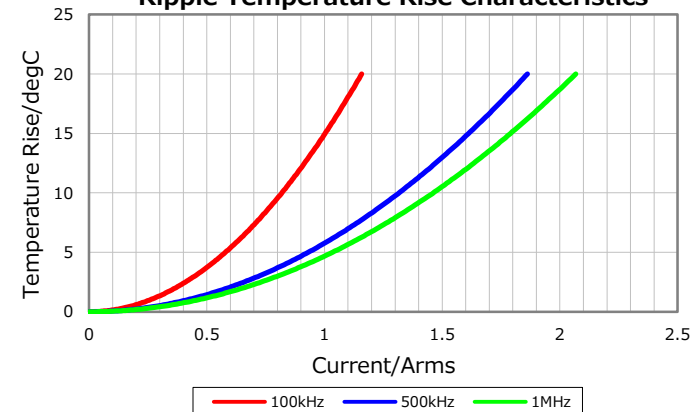
DC Bias Characteristic



Temperature Characteristics



Ripple Temperature Rise Characteristics



Characterization Sheet (Multilayer Ceramic Chip Capacitors)



All specifications are subject to change without notice.

July 24, 2018