

# C3216CH2A683K160AC

TDK Item Description : C3216CH2A683KT\*\*\*\*

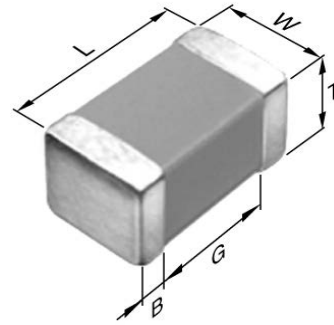


## Application & Main Feature

Commercial Grade ( Mid Volatage (100 to 630V) )

## Series

C3216 [EIA 1206]



## Dimensions

L	3.20mm +/-0.2mm
W	1.60mm +/-0.2mm
T	1.60mm +/-0.2mm
B	0.20mm Min.
G	1.00mm Min.

## Temperature Characteristic

CH (-55 to 85 degC 0+/-60ppm/degC)

## Rated Voltage

2A (100Vdc)

## Capacitance

68nF

## Capacitance Tolerance

K (+/-10%)

## Q Factor

1000 Min.

## Insulation Resistance

7.352Gohm Min

## AEC-Q200

Not Applicable

