

# C3216X6S1E106K160AB

TDK item description : C3216X6S1E106KT\*\*\*\*

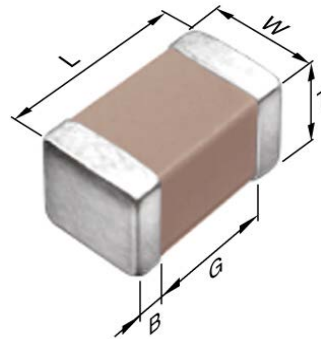


## Application & Main Feature

Commercial grade (General type)

## Series

C3216 [EIA 1206]



## Dimensions

L	3.20±0.20 mm
W	1.60±0.20 mm
T	1.60±0.20 mm
B	0.20 mm min.
G	1.00 mm min.

## Temperature Characteristic

X6S (-55 to +105 degC, ±22%)

## Rated Voltage

1E (25Vdc)

## Capacitance

10µF

## Capacitance Tolerance

K (±10%)

## Dissipation Factor

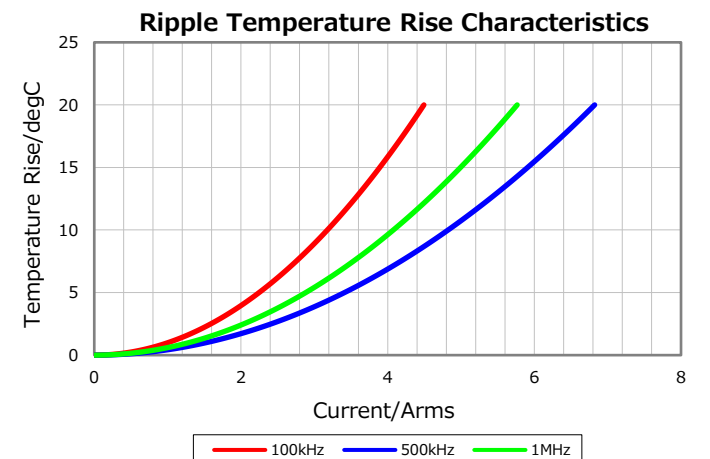
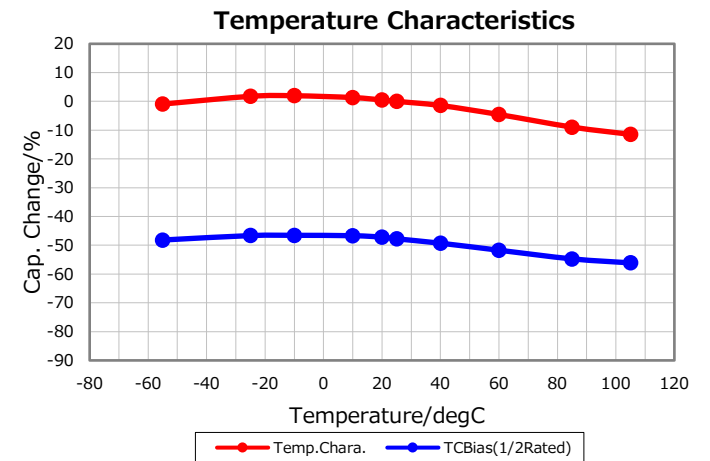
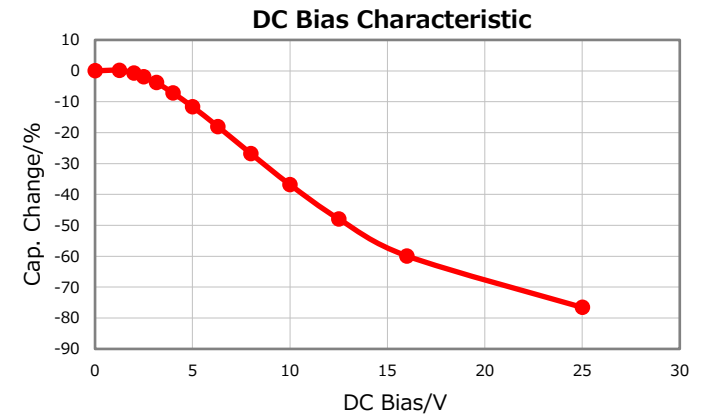
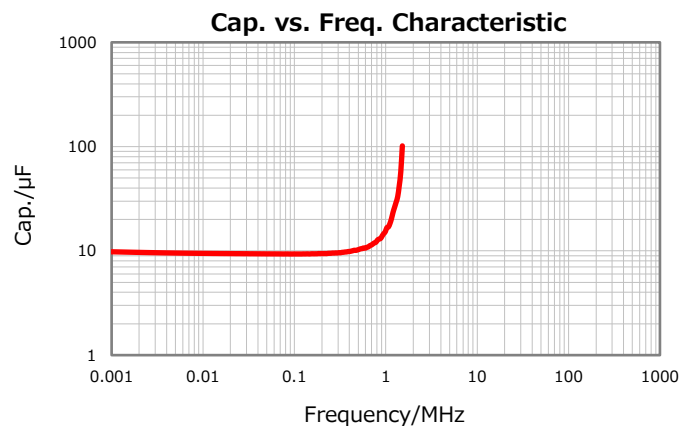
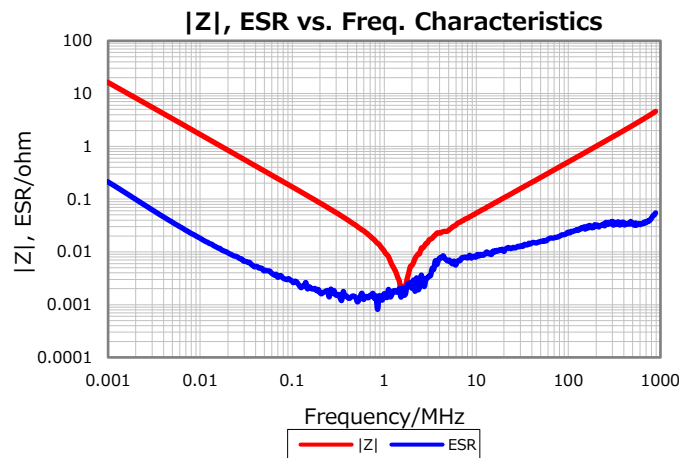
7.5 % max.

## Insulation Resistance

50 Mohm min.

## AEC-Q200

Not Applicable



Characterization Sheet ( Multilayer Ceramic Chip Capacitors )



All specifications are subject to change without notice.

January 22, 2020