

C3216X6S1E226M160AC

TDK item description : C3216X6S1E226MT****

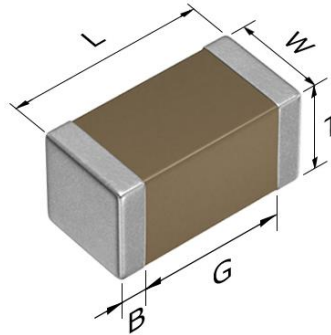


Application & Main Feature

Commercial grade (General type)

Series

C3216 [EIA 1206]



Dimensions

L 3.20+0.30,-0.10 mm
 W 1.60+0.30,-0.10 mm
 T 1.60+0.30,-0.10 mm
 B 0.20 mm min.
 G 1.00 mm min.

Temperature Characteristic

X6S (-55 to +105 degC, ±22%)

Rated Voltage

1E (25Vdc)

Capacitance

22µF

Capacitance Tolerance

M (±20%)

DF

7.5 % max.

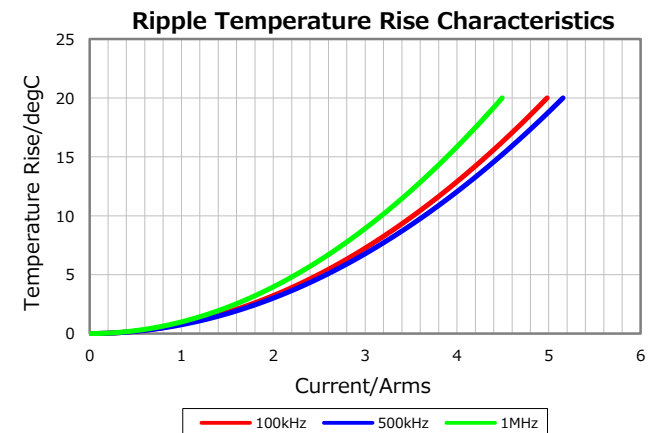
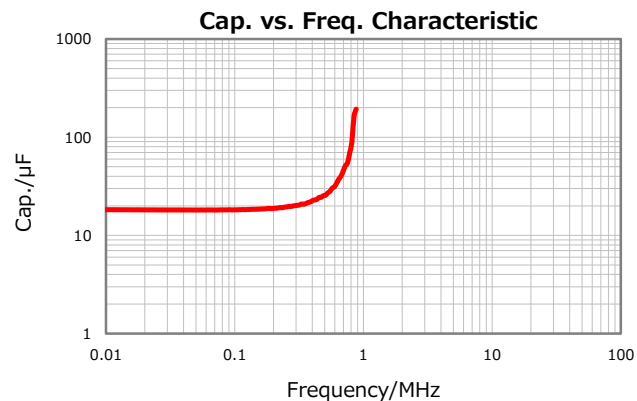
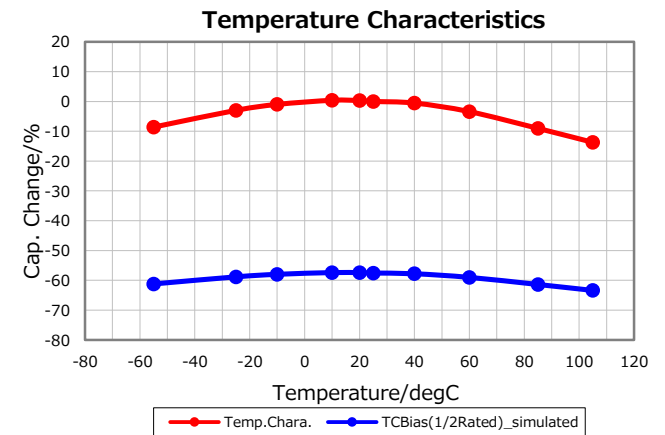
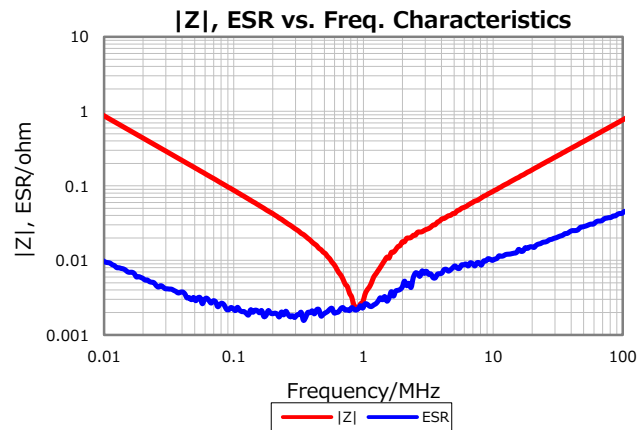
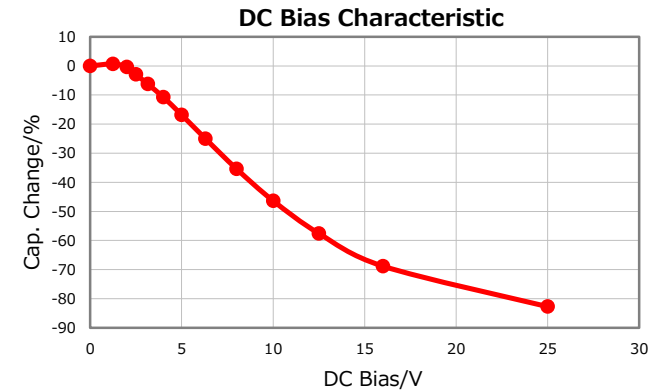
Insulation Resistance

22 Mohm min.

AEC-Q200

Not Applicable

Characterization Sheet (Multilayer Ceramic Chip Capacitors)



⚠ All specifications are subject to change without notice.

January 7, 2021