

# C3216X7R1C106K160AE

TDK item description : C3216X7R1C106KT\*\*\*S

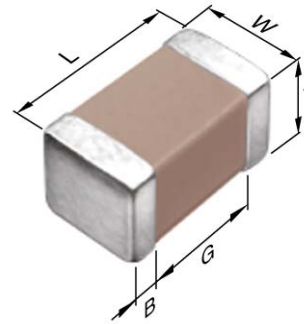


## Application & Main Feature

Commercial grade (Soft termination)

## Series

C3216 [EIA 1206]



## Dimensions

L	3.20+0.40/-0.20 mm
W	1.60+0.30/-0.20 mm
T	1.60+0.30/-0.20 mm
B	0.20 mm min.
G	1.00 mm min.

## Temperature Characteristic

X7R (-55 to +125 degC, ±15%)

## Rated Voltage

1C (16Vdc)

## Capacitance

10µF

## Capacitance Tolerance

K (±10%)

## Dissipation Factor

5 % max.

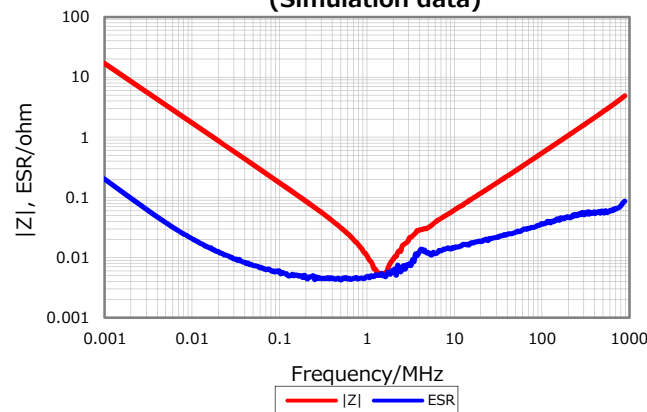
## Insulation Resistance

10 Mohm min.

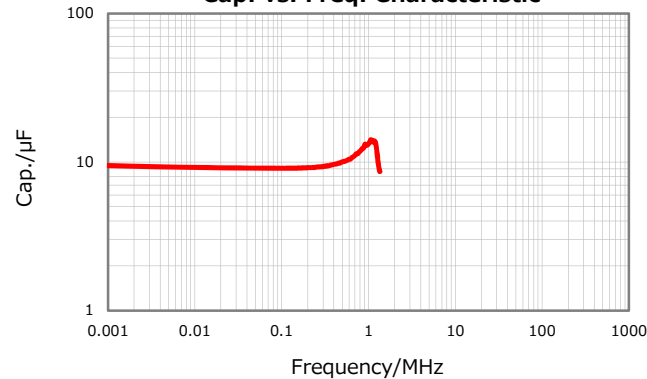
## AEC-Q200

Not Applicable

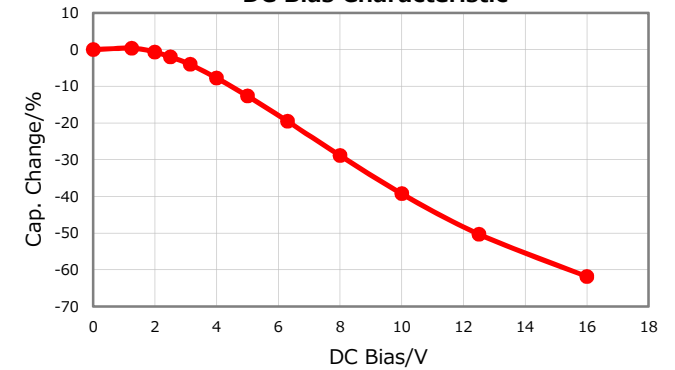
**|Z|, ESR vs. Freq. Characteristics  
(Simulation data)**



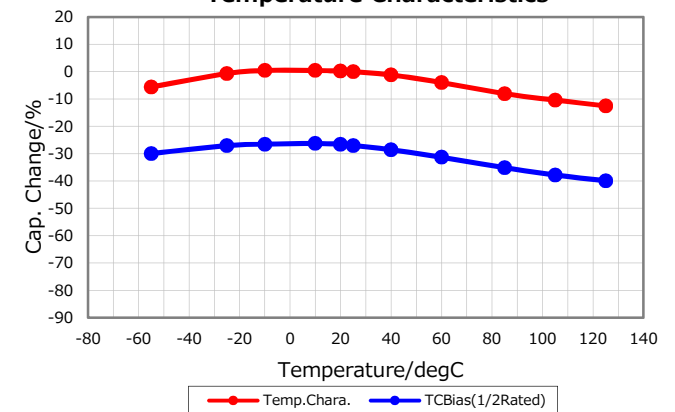
**Cap. vs. Freq. Characteristic**



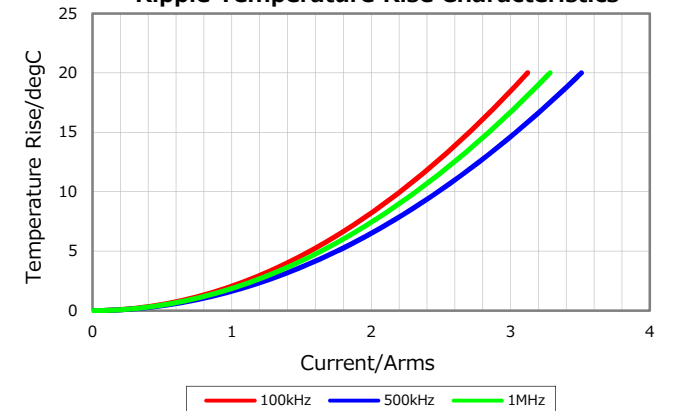
**DC Bias Characteristic**



**Temperature Characteristics**



**Ripple Temperature Rise Characteristics**



Characterization Sheet (Multilayer Ceramic Chip Capacitors)



All specifications are subject to change without notice.

January 20, 2020