

C3216X7R1E106K160AB

TDK item description : C3216X7R1E106KT****

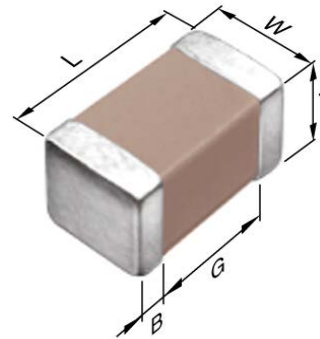


Application & Main Feature

Commercial grade (General type)

Series

C3216 [EIA 1206]



Dimensions

| | |
|---|--------------|
| L | 3.20±0.20 mm |
| W | 1.60±0.20 mm |
| T | 1.60±0.20 mm |
| B | 0.20 mm min. |
| G | 1.00 mm min. |

Temperature Characteristic

X7R (-55 to +125 degC, ±15%)

Rated Voltage

1E (25Vdc)

Capacitance

10µF

Capacitance Tolerance

K (±10%)

Dissipation Factor

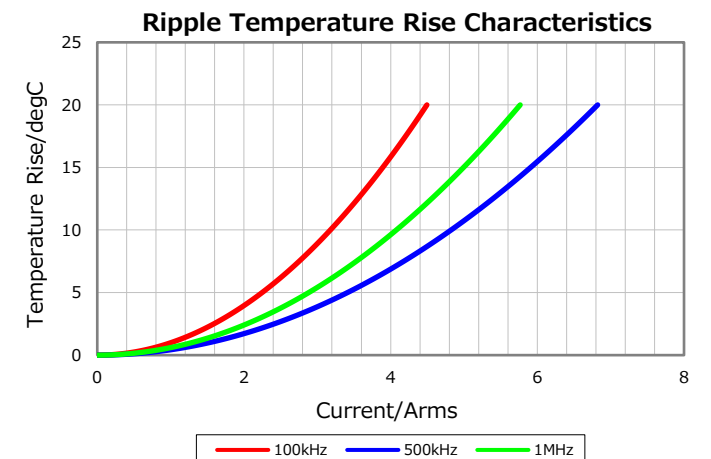
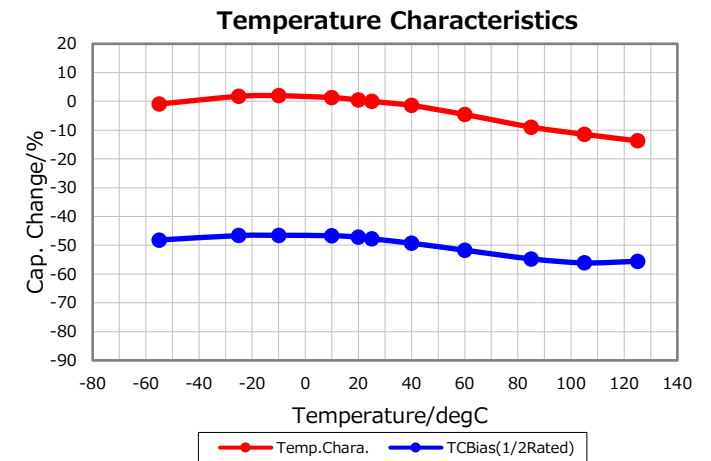
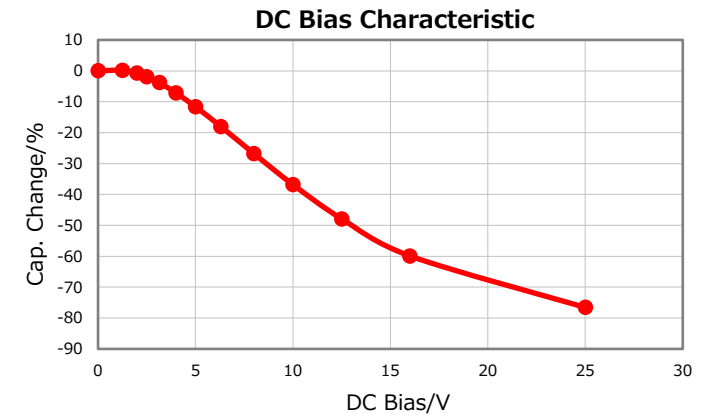
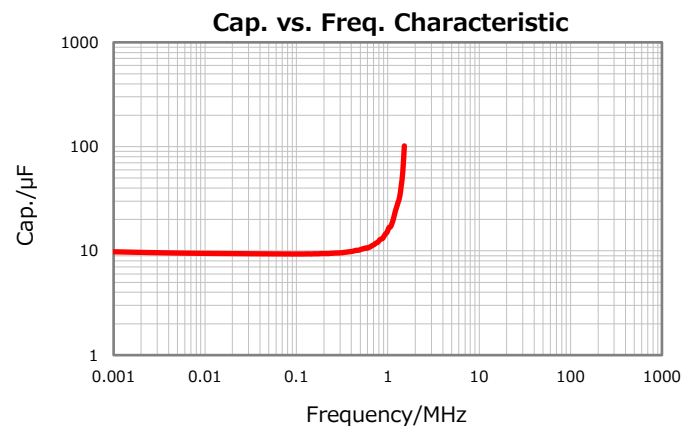
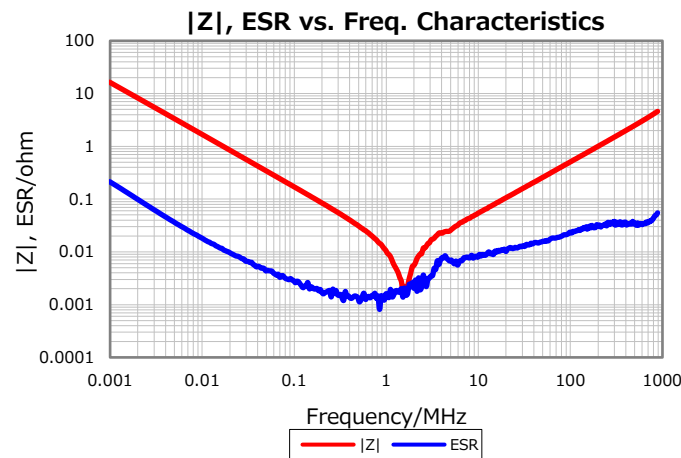
7.5 % max.

Insulation Resistance

50 Mohm min.

AEC-Q200

Not Applicable



Characterization Sheet (Multilayer Ceramic Chip Capacitors)



All specifications are subject to change without notice.

January 22, 2020