

C3216X7R1V106M160AE

TDK Item Description : C3216X7R1V106MT***S

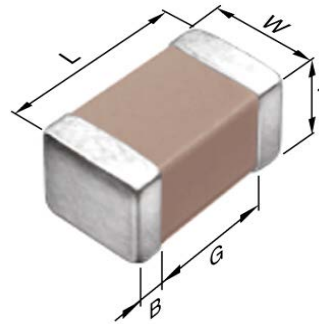


Application & Main Feature

Commercial Grade (Soft Termination)

Series

C3216 [EIA CC1206]



Dimensions

| | |
|---|--------------------|
| L | 3.20mm +0.4,-0.2mm |
| W | 1.60mm +0.3,-0.2mm |
| T | 1.60mm +0.3,-0.2mm |
| B | 0.20mm Min. |
| G | 1.00mm Min. |

Temperature Characteristic

X7R (-55 to 125 degC +/-15%)

Rated Voltage

1V (35Vdc)

Capacitance

10uF

Capacitance Tolerance

M (+/-20%)

Dissipation Factor

5% Max.

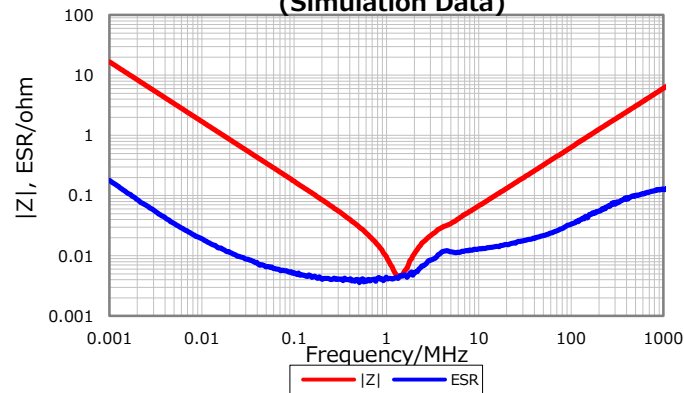
Insulation Resistance

50Mohm Min.

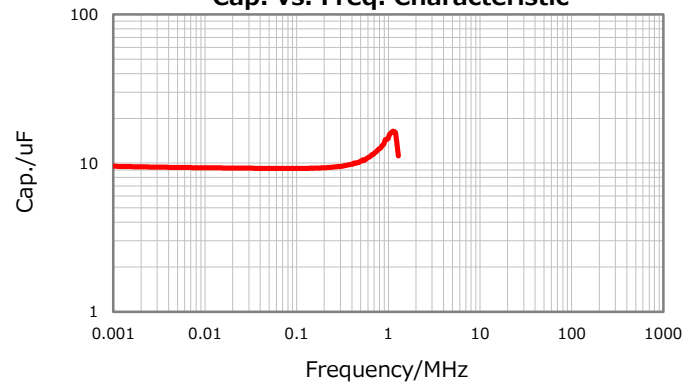
AEC-Q200

Not Applicable

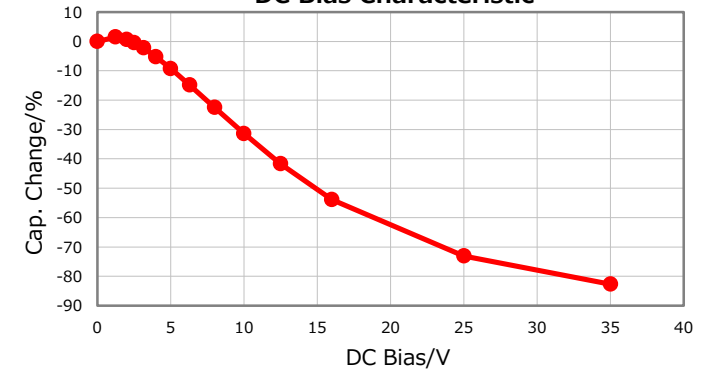
**|Z|, ESR vs. Freq. Characteristics
(Simulation Data)**



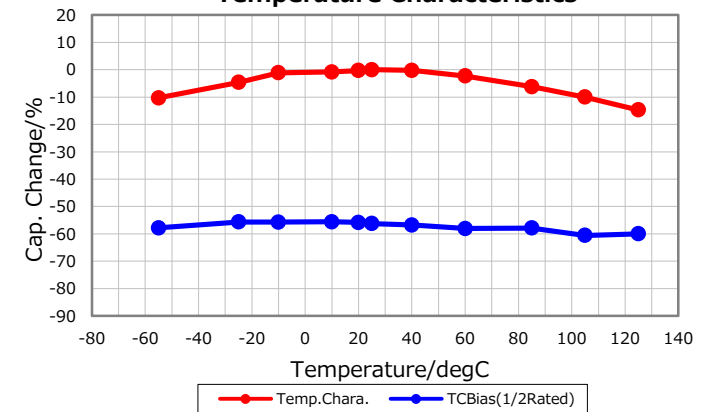
Cap. vs. Freq. Characteristic



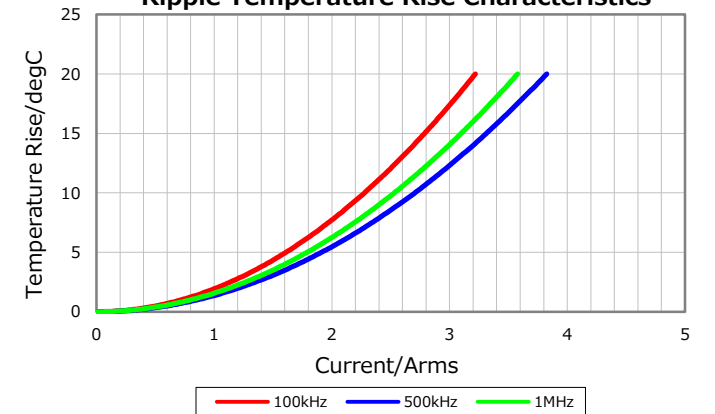
DC Bias Characteristic



Temperature Characteristics



Ripple Temperature Rise Characteristics



Characterization Sheet (Multilayer Ceramic Chip Capacitors)



All specifications are subject to change without notice.

March 16, 2017