

# C3216X7R2A105K160AE

TDK item description : C3216X7R2A105KT\*\*\*S

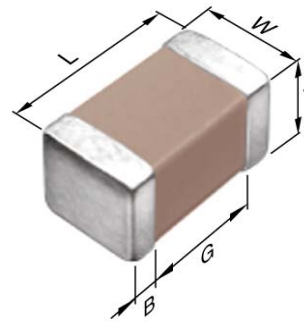


## Application & Main Feature

Commercial grade (Soft termination)

## Series

C3216 [EIA 1206]



## Dimensions

L	3.20+0.40/-0.20 mm
W	1.60+0.30/-0.20 mm
T	1.60+0.30/-0.20 mm
B	0.20 mm min.
G	1.00 mm min.

## Temperature Characteristic

X7R (-55 to +125 degC, ±15%)

## Rated Voltage

2A (100Vdc)

## Capacitance

1µF

## Capacitance Tolerance

K (±10%)

## Dissipation Factor

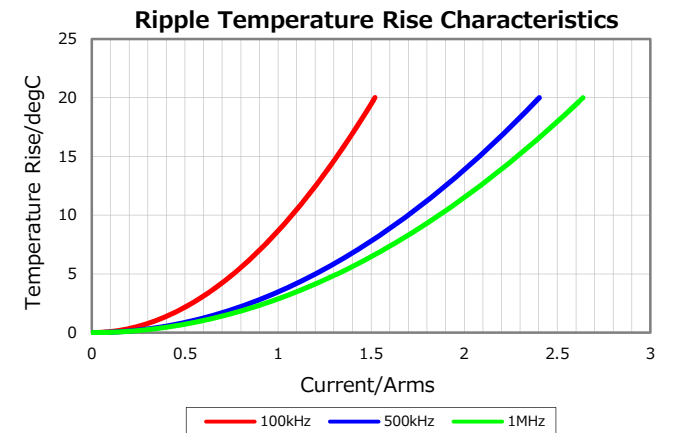
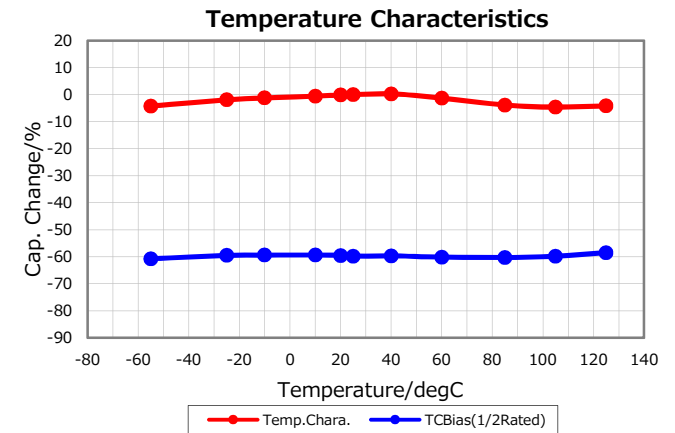
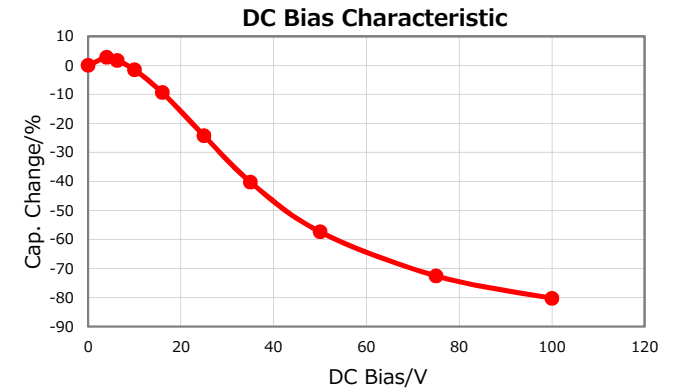
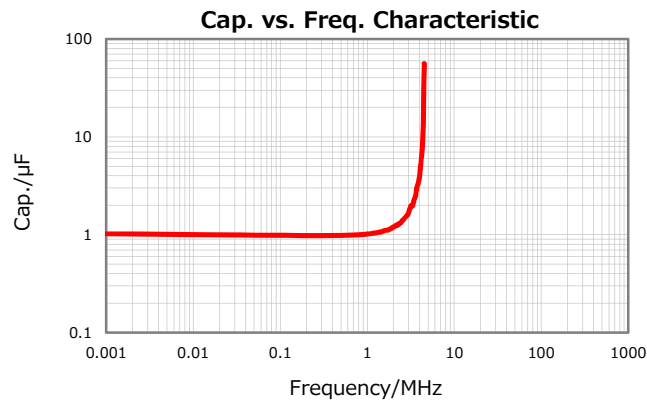
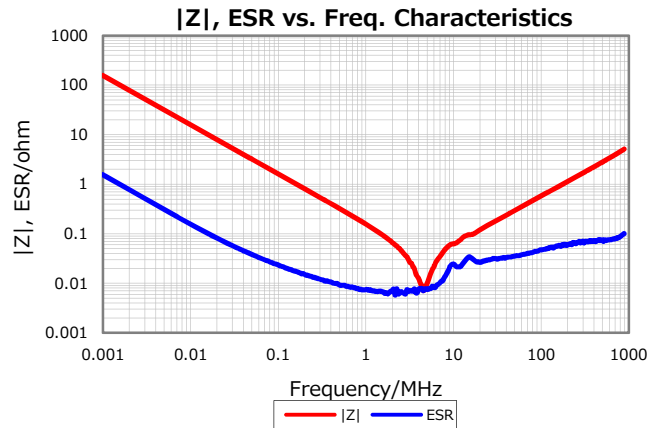
3 % max.

## Insulation Resistance

500 Mohm min.

## AEC-Q200

Not Applicable



Characterization Sheet ( Multilayer Ceramic Chip Capacitors )



All specifications are subject to change without notice.

January 20, 2020