

# C3216X7S3A102K085AA

TDK item description : C3216X7S3A102KT\*\*\*\*

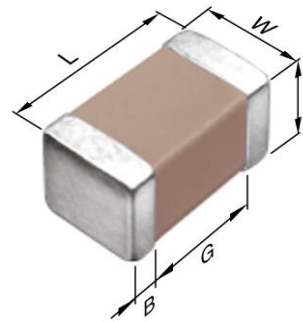


## Application & Main Feature

Commercial grade (General type)

## Series

C3216 [EIA 1206]



## Dimensions

L	3.20±0.20 mm
W	1.60±0.20 mm
T	0.85±0.15 mm
B	0.20 mm min.
G	---

## Temperature Characteristic

X7S (-55 to +125 degC, ±22%)

## Rated Voltage

3A (1000Vdc)

## Capacitance

1nF

## Capacitance Tolerance

K (±10%)

## DF

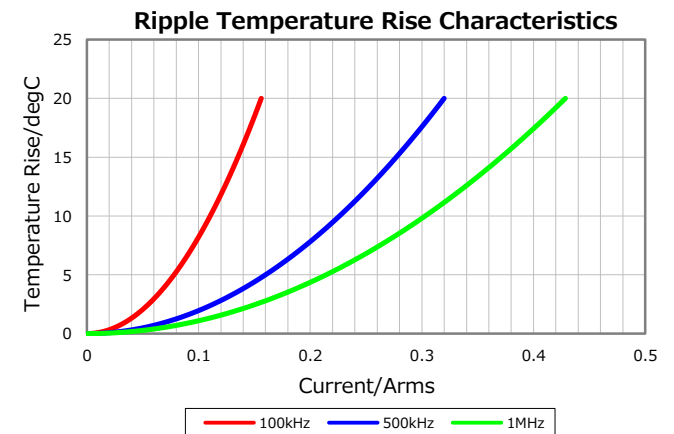
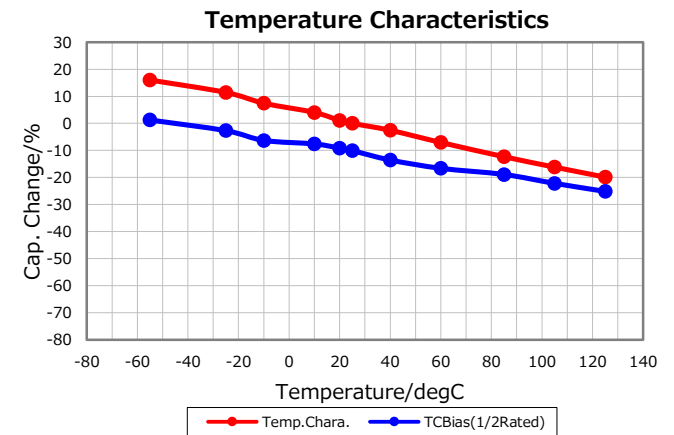
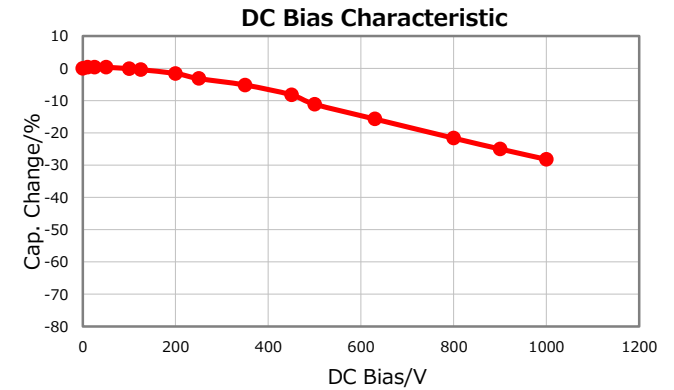
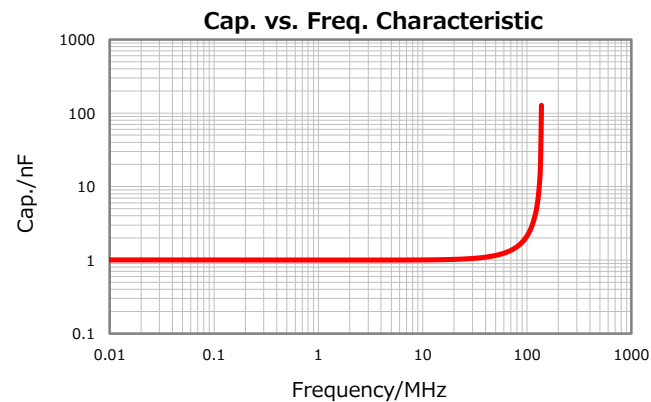
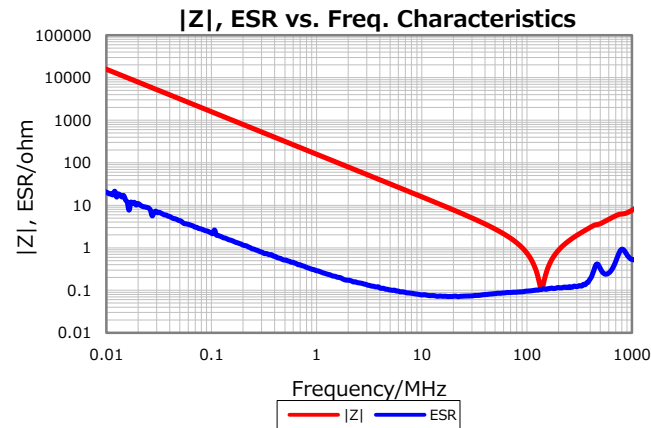
3 % max.

## Insulation Resistance

10000 Mohm min.

## AEC-Q200

Not Applicable



Characterization Sheet (Multilayer Ceramic Chip Capacitors)



All specifications are subject to change without notice.

May 12, 2020