

# C3216X7S3A222K130AA

TDK item description : C3216X7S3A222KT\*\*\*\*

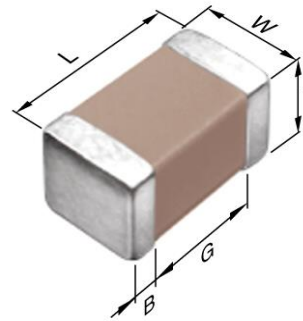


## Application & Main Feature

Commercial grade (General type)

## Series

C3216 [EIA 1206]



## Dimensions

|   |              |
|---|--------------|
| L | 3.20±0.20 mm |
| W | 1.60±0.20 mm |
| T | 1.30±0.20 mm |
| B | 0.20 mm min. |
| G | ---          |

## Temperature Characteristic

X7S (-55 to +125 degC, ±22%)

## Rated Voltage

3A (1000Vdc)

## Capacitance

2.2nF

## Capacitance Tolerance

K (±10%)

## DF

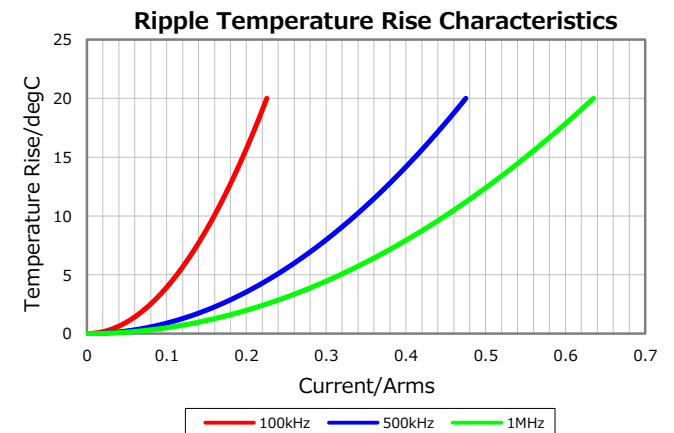
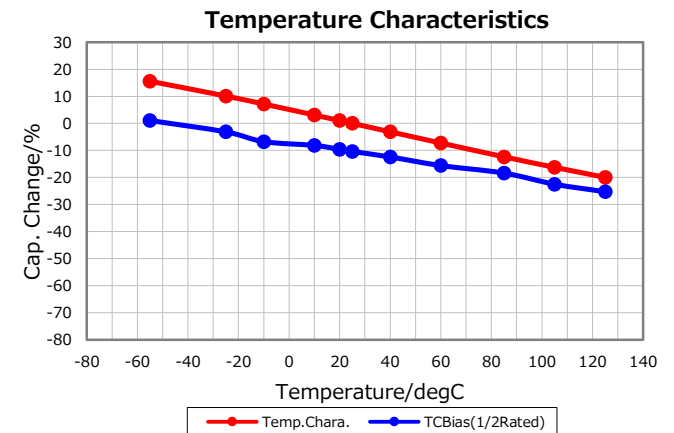
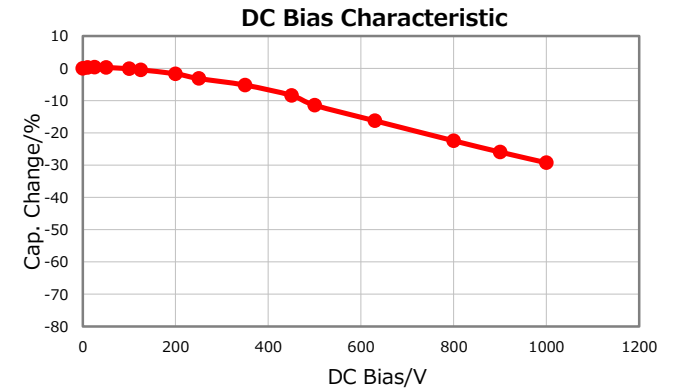
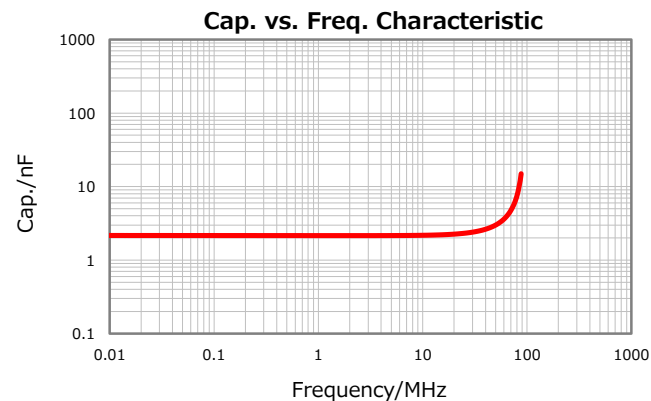
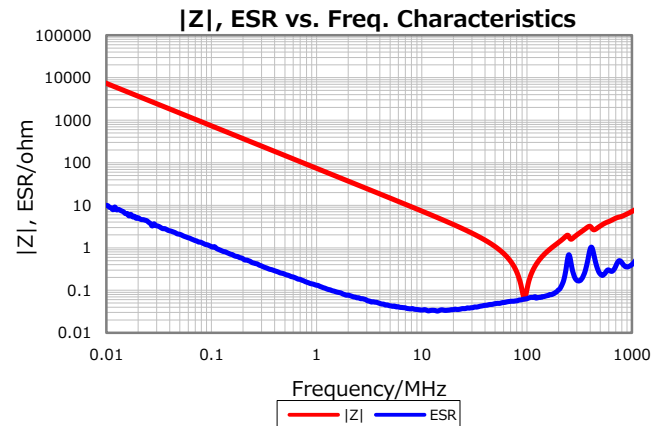
3 % max.

## Insulation Resistance

10000 Mohm min.

## AEC-Q200

Not Applicable



Characterization Sheet ( Multilayer Ceramic Chip Capacitors )



⚠ All specifications are subject to change without notice.

May 12, 2020