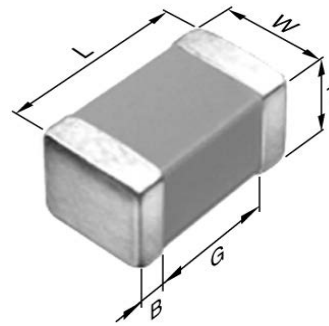


Application & Main Feature

Commercial Grade (Soft Termination)

Series

C3225 [EIA 1210]



Dimensions

L	3.20mm +0.5,-0.4mm
W	2.50mm ±0.30mm
T	2.50mm ±0.30mm
B	0.20mm Min.
G	

Temperature Characteristic

C0G (-55 to 125 degC 0+/-30ppm/degC)

Rated Voltage

2W(450Vdc)

Capacitance

33nF

Capacitance Tolerance

J (±5%)

Q Factor

1000 Min.

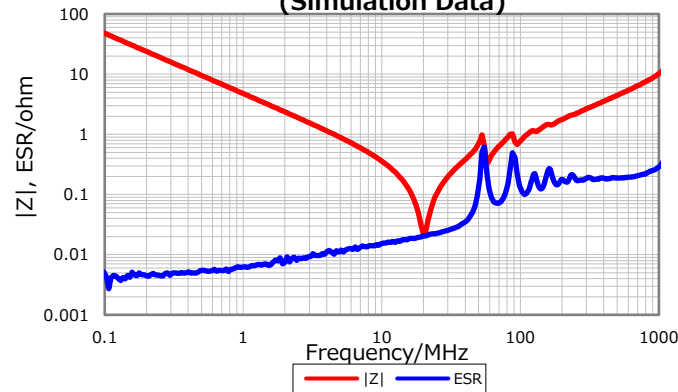
Insulation Resistance

10Gohm Min

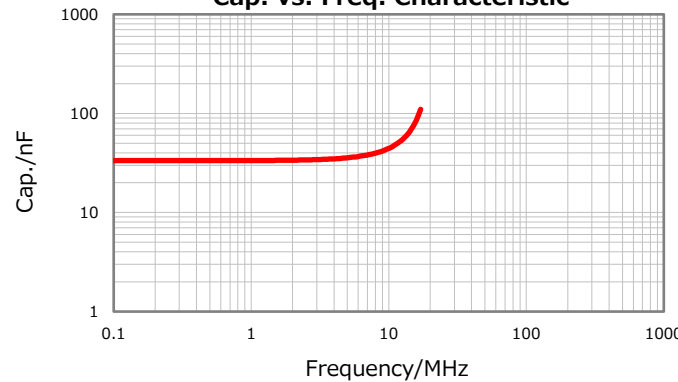
AEC-Q200

Not Applicable

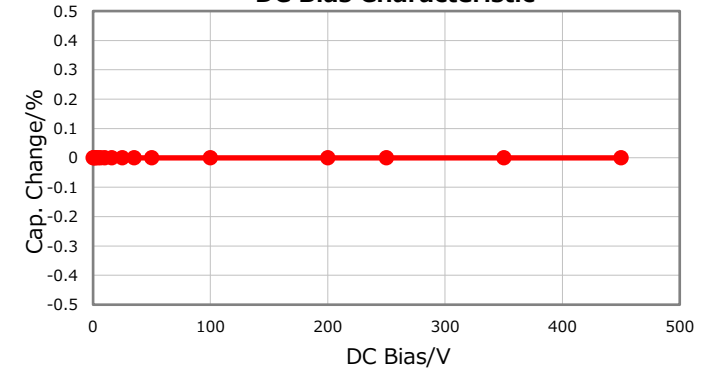
|Z|, ESR vs. Freq. Characteristics (Simulation Data)



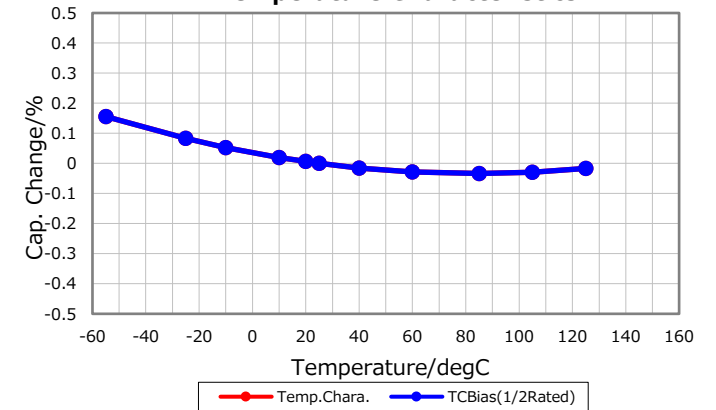
Cap. vs. Freq. Characteristic



DC Bias Characteristic



Temperature Characteristics



Ripple Temperature Rise Characteristics

