

# C3225NP02A683J230AA

TDK Item Description : C3225NP02A683J\*\*\*\*

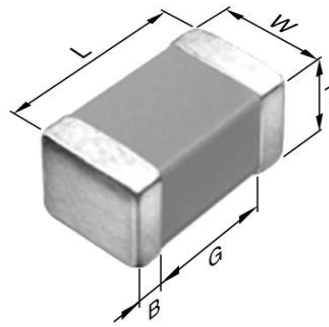


## Application & Main Feature

Commercial Grade ( High Temperature Application )

## Series

C3225 [EIA 1210]



## Dimensions

L	3.20mm ±0.40mm
W	2.50mm ±0.30mm
T	2.30mm ±0.20mm
B	0.20mm Min.
G	

## Temperature Characteristic

NP0 (-55 to 150 degC 0+/-30ppm/degC)

## Rated Voltage

2A(100Vdc)

## Capacitance

68nF

## Capacitance Tolerance

J (±5%)

## Q Factor

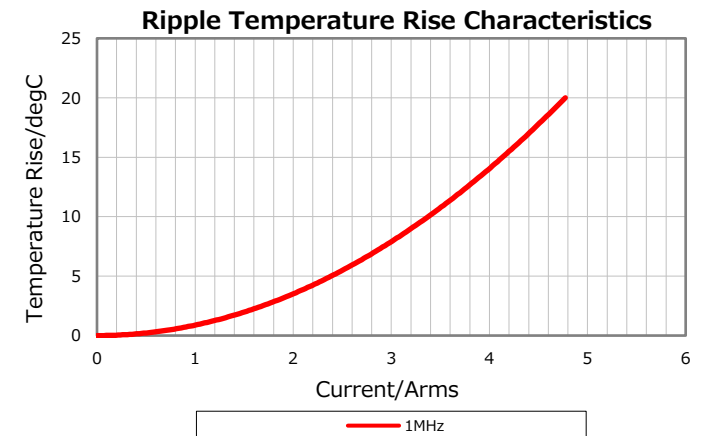
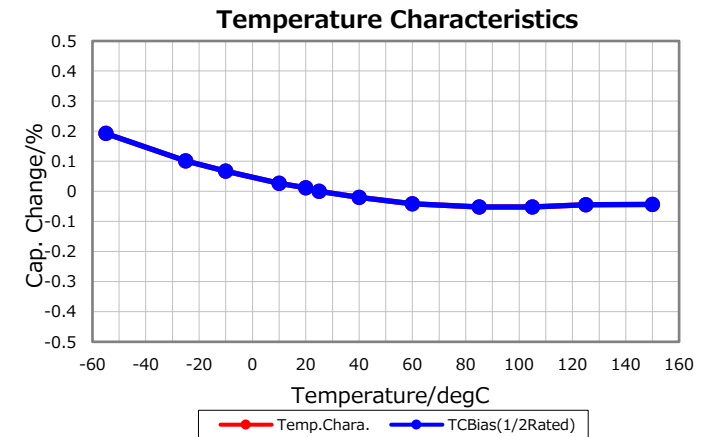
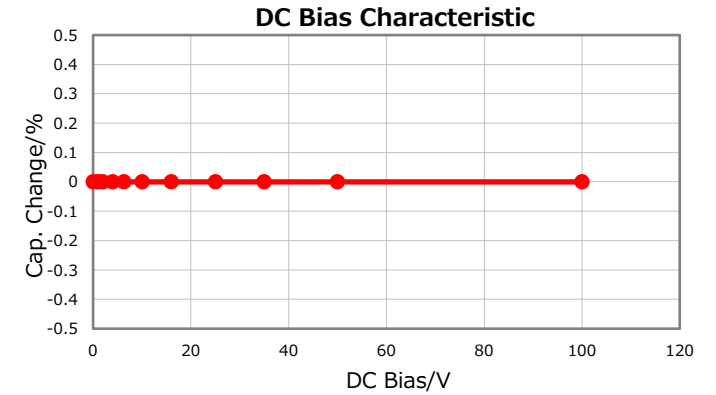
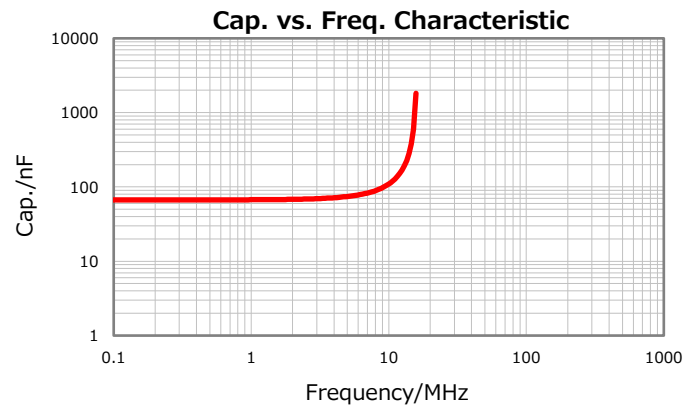
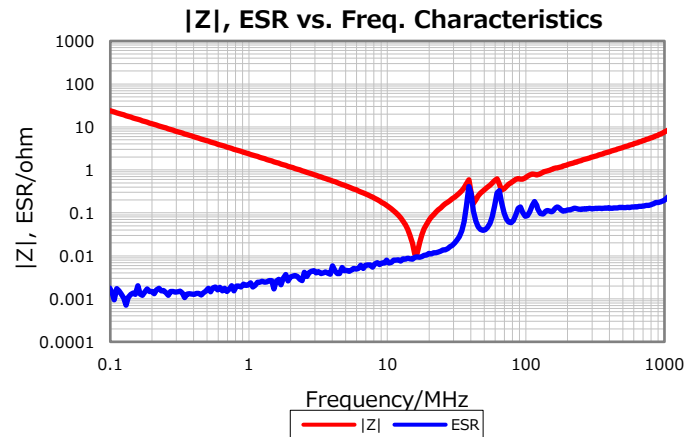
1000 Min.

## Insulation Resistance

7.352Gohm Min

## AEC-Q200

Not Applicable



Characterization Sheet ( Multilayer Ceramic Chip Capacitors )



All specifications are subject to change without notice.

May 22, 2019