

# C3225X5R0J476M250AA

TDK item description : C3225X5R0J476MT\*\*\*\*

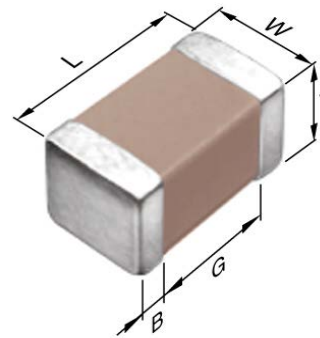


## Application & Main Feature

Commercial grade (General type)

## Series

C3225 [EIA 1210]



## Dimensions

L 3.20+0.45/-0.40 mm  
 W 2.50+0.35/-0.30 mm  
 T 2.50+0.35/-0.30 mm  
 B 0.20 mm min.  
 G ---

## Temperature Characteristic

X5R (-55 to +85 degC, ±15%)

## Rated Voltage

0J (6.3Vdc)

## Capacitance

47µF

## Capacitance Tolerance

M (±20%)

## DF

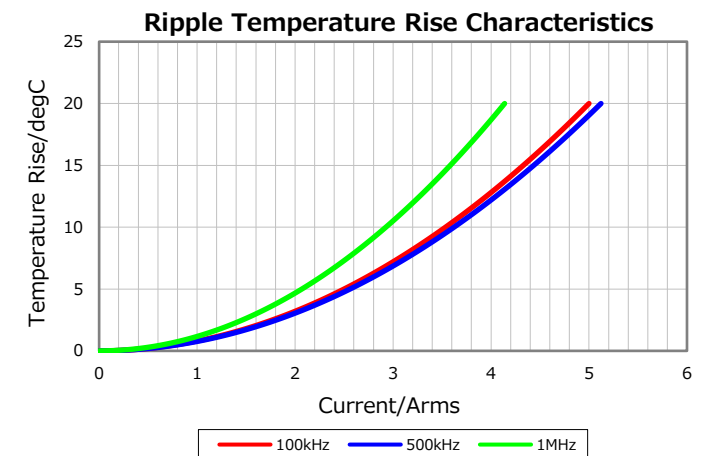
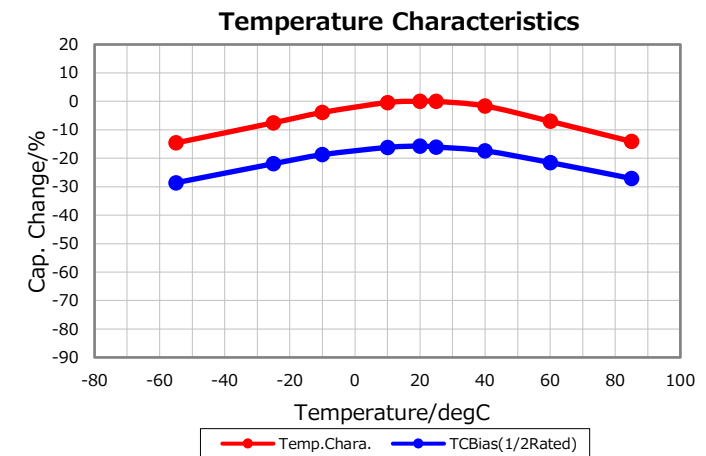
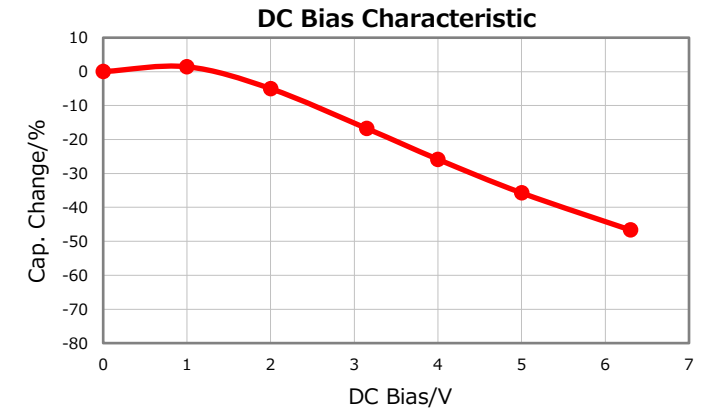
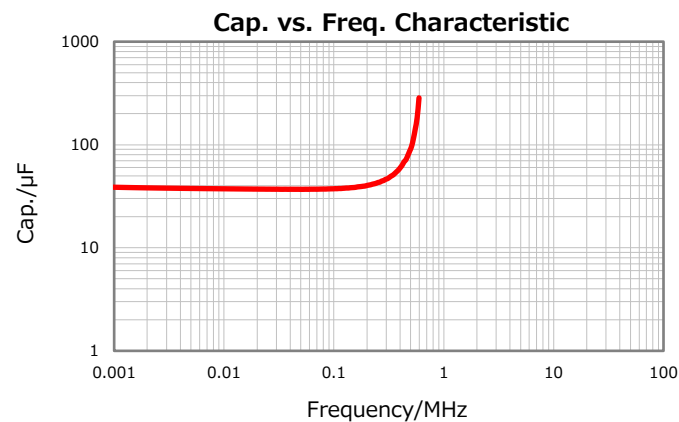
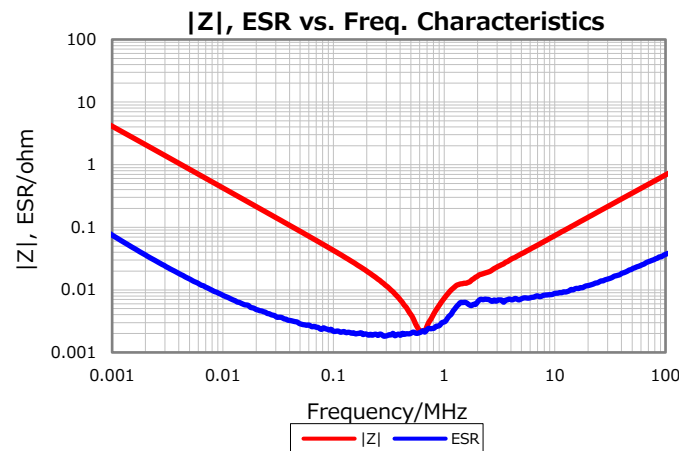
7.5 % max.

## Insulation Resistance

2 Mohm min.

## AEC-Q200

Not Applicable



Characterization Sheet ( Multilayer Ceramic Chip Capacitors)



All specifications are subject to change without notice.

February 13, 2020