

C3225X5R1A476M250AC

TDK item description : C3225X5R1A476MT****

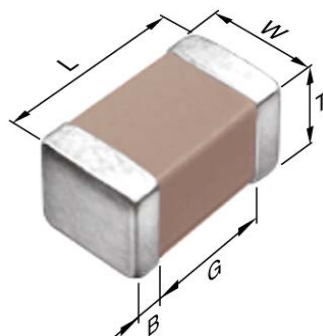


Application & Main Feature

Commercial grade (General type)

Series

C3225 [EIA 1210]



Dimensions

L	3.20+0.45/-0.40 mm
W	2.50+0.35/-0.30 mm
T	2.50+0.35/-0.30 mm
B	0.20 mm min.
G	---

Temperature Characteristic

X5R (-55 to +85 degC, ±15%)

Rated Voltage

1A (10Vdc)

Capacitance

47µF

Capacitance Tolerance

M (±20%)

DF

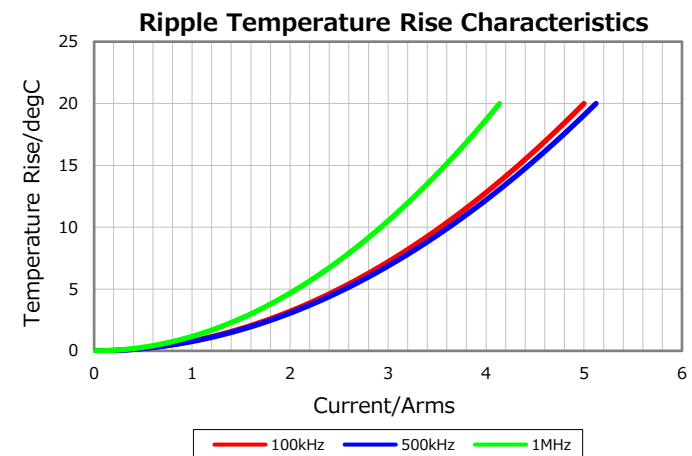
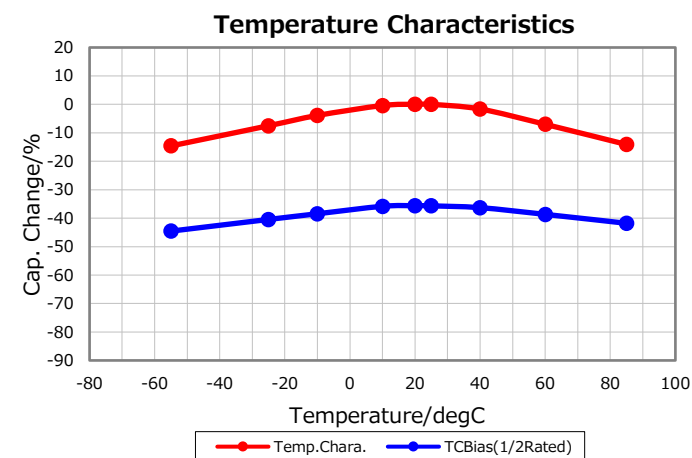
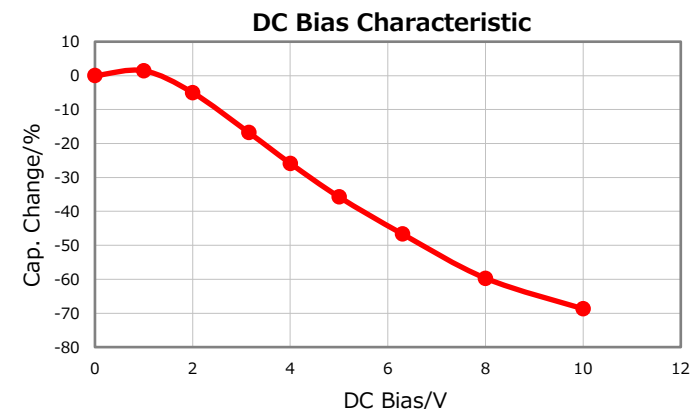
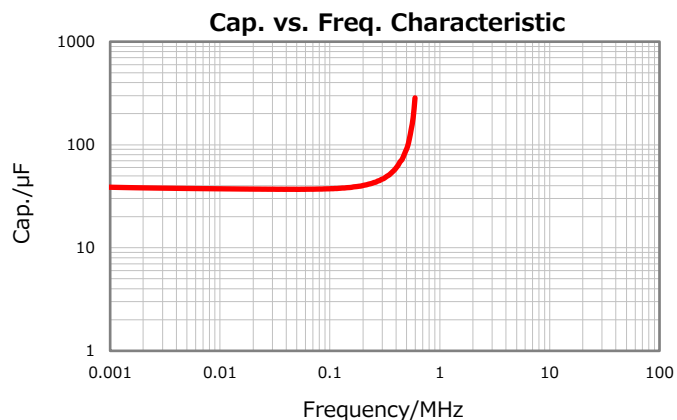
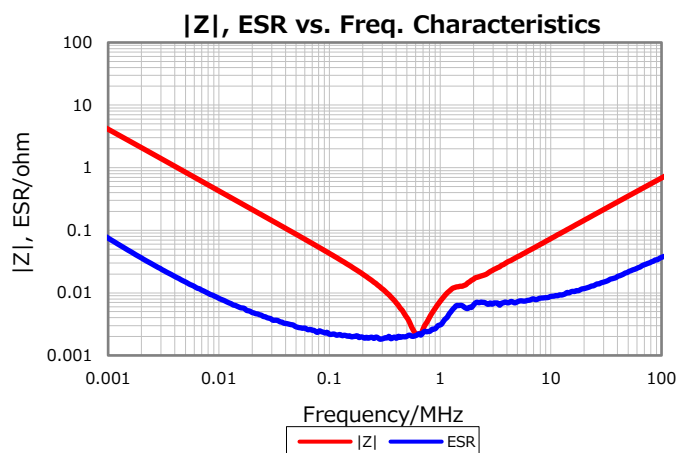
7.5 % max.

Insulation Resistance

2 Mohm min.

AEC-Q200

Not Applicable



Characterization Sheet (Multilayer Ceramic Chip Capacitors)



All specifications are subject to change without notice.

February 13, 2020