

C3225X7R2A106K250AC

TDK item description : C3225X7R2A106KT****

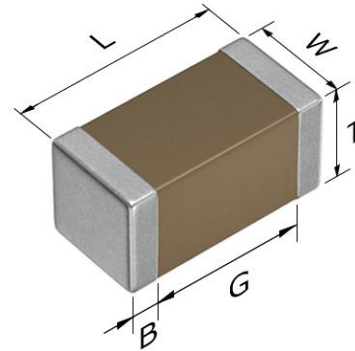


Application & Main Feature

Commercial grade (General type)

Series

C3225 [EIA 1210]



Dimensions

L 3.20+0.45,-0.40 mm
 W 2.50+0.35,-0.30 mm
 T 2.50+0.35,-0.30 mm
 B 0.20 mm min.
 G ---

Temperature Characteristic

X7R (-55 to +125 degC, ±15%)

Rated Voltage

2A (100Vdc)

Capacitance

10µF

Capacitance Tolerance

K (±10%)

DF

5 % max.

Insulation Resistance

10 Mohm min.

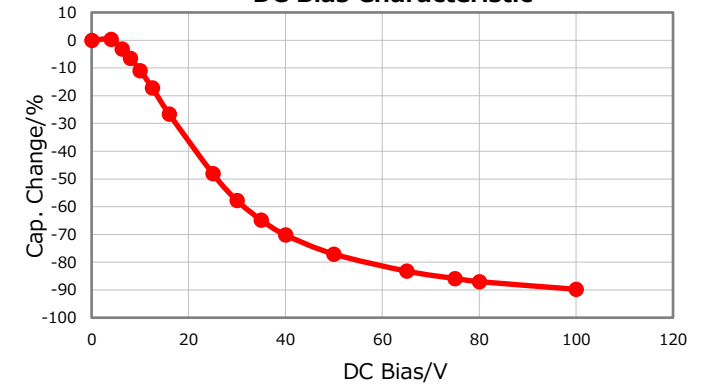
AEC-Q200

Not Applicable

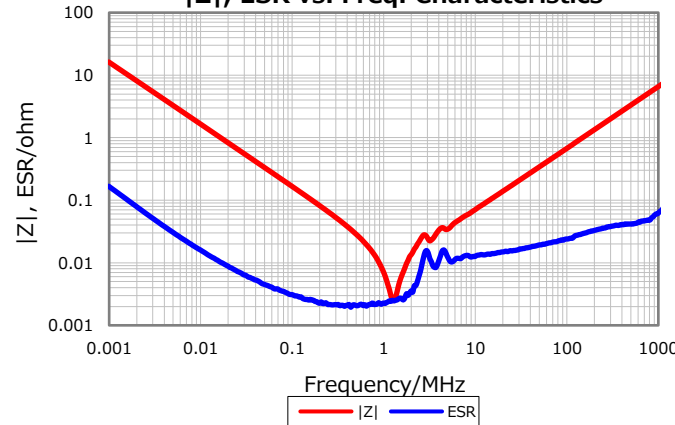
Voltage proof

Rated voltage(100Vdc) x 2

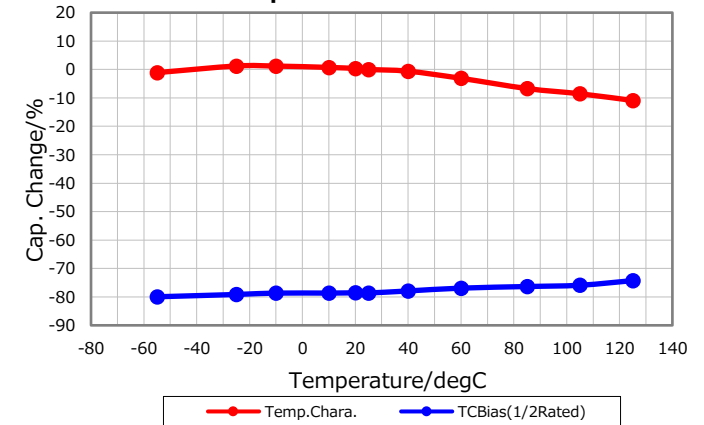
DC Bias Characteristic



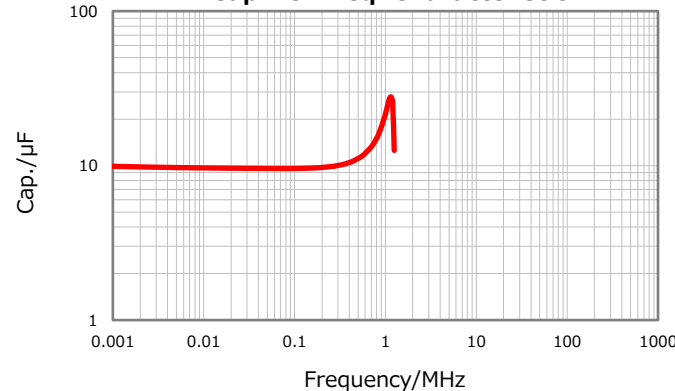
|Z|, ESR vs. Freq. Characteristics



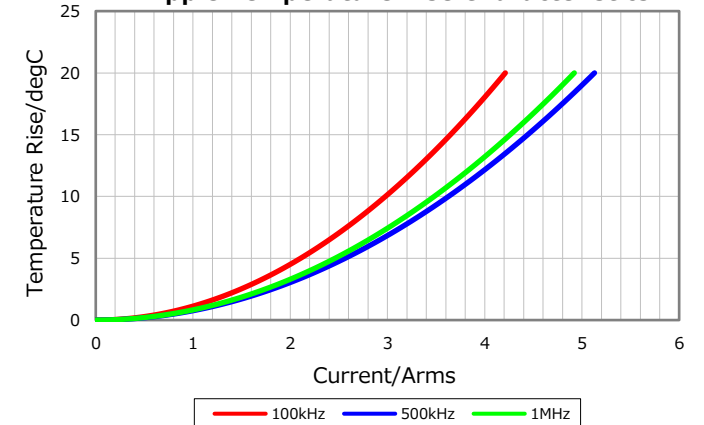
Temperature Characteristics



Cap. vs. Freq. Characteristic



Ripple Temperature Rise Characteristics



Characterization Sheet (Multilayer Ceramic Chip Capacitors)



All specifications are subject to change without notice.

November 4, 2021