

# C3225X7R2A225K230AB

TDK item description : C3225X7R2A225KT\*\*\*\*

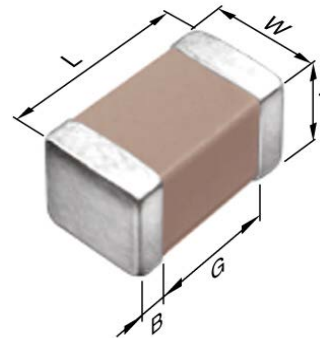


## Application & Main Feature

Commercial grade (General type)

## Series

C3225 [EIA 1210]



## Dimensions

L	3.20±0.40 mm
W	2.50±0.30 mm
T	2.30±0.20 mm
B	0.20 mm min.
G	---

## Temperature Characteristic

X7R (-55 to +125 degC, ±15%)

## Rated Voltage

2A (100Vdc)

## Capacitance

2.2µF

## Capacitance Tolerance

K (±10%)

## Dissipation Factor

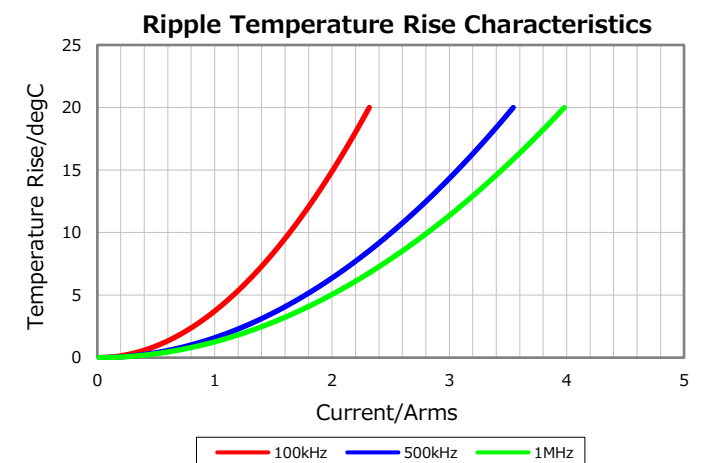
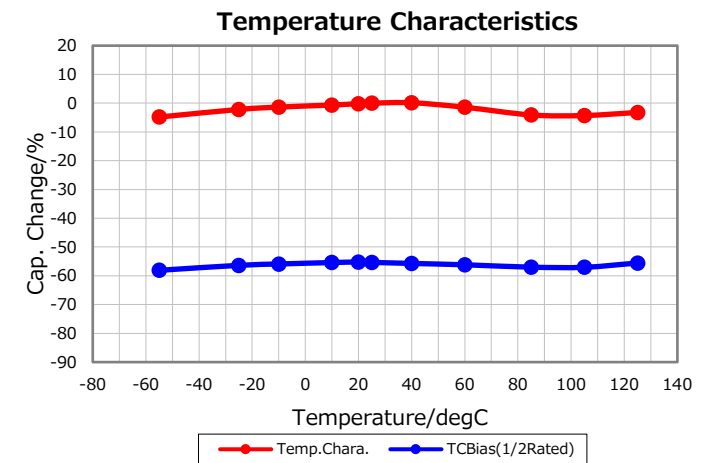
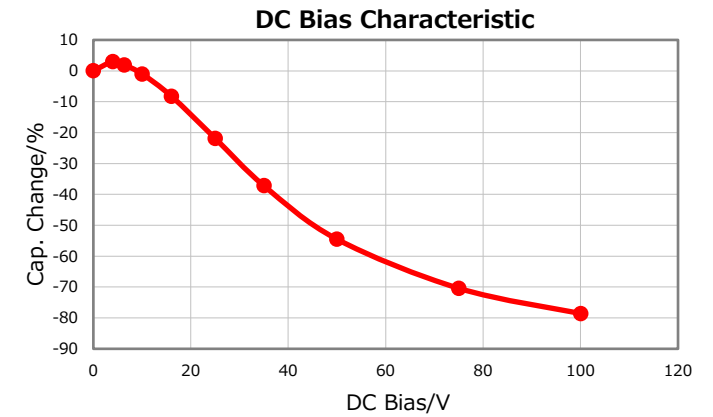
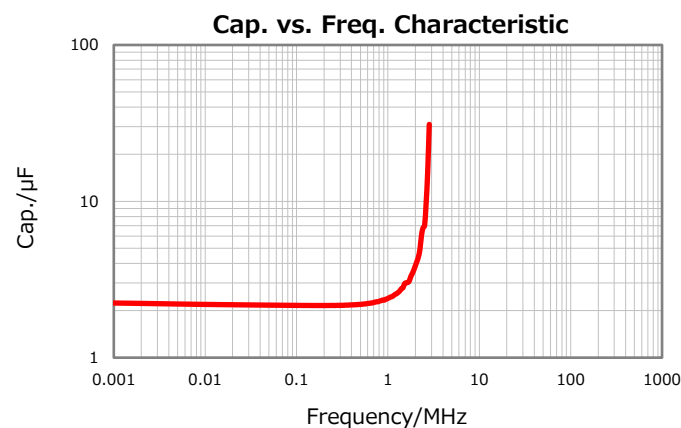
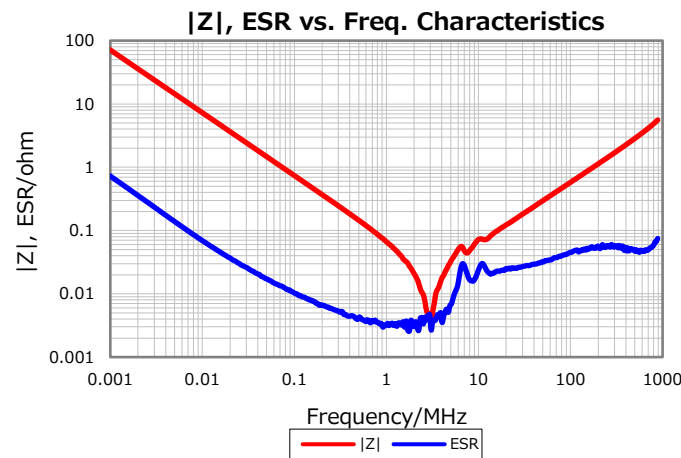
3 % max.

## Insulation Resistance

227 Mohm min.

## AEC-Q200

Not Applicable



Characterization Sheet ( Multilayer Ceramic Chip Capacitors )



All specifications are subject to change without notice.

January 23, 2020