

C3225X7R2A225K230AE

TDK item description : C3225X7R2A225KT***S

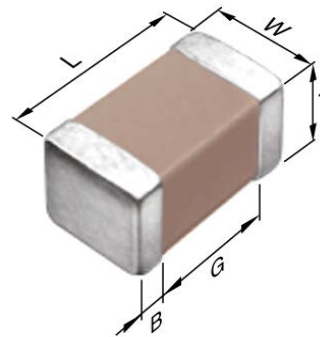


Application & Main Feature

Commercial grade (Soft termination)

Series

C3225 [EIA 1210]



Dimensions

L 3.20+0.50/-0.40 mm
 W 2.50±0.30 mm
 T 2.30+0.30/-0.20 mm
 B 0.20 mm min.
 G ---

Temperature Characteristic

X7R (-55 to +125 degC, ±15%)

Rated Voltage

2A (100Vdc)

Capacitance

2.2µF

Capacitance Tolerance

K (±10%)

Dissipation Factor

3 % max.

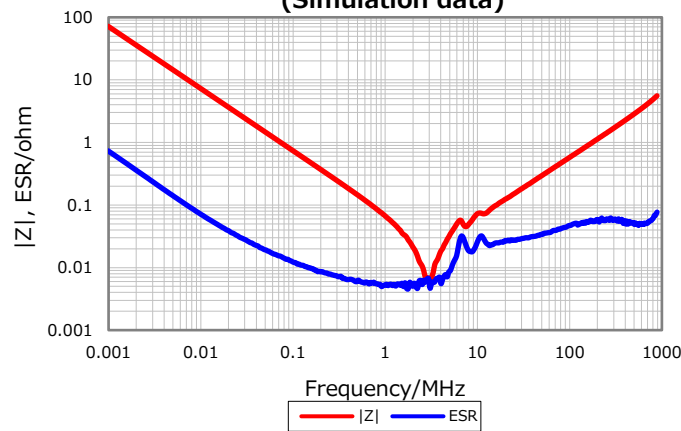
Insulation Resistance

227 Mohm min.

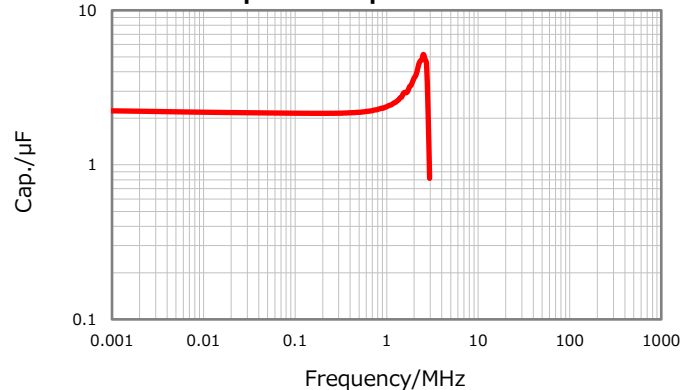
AEC-Q200

Not Applicable

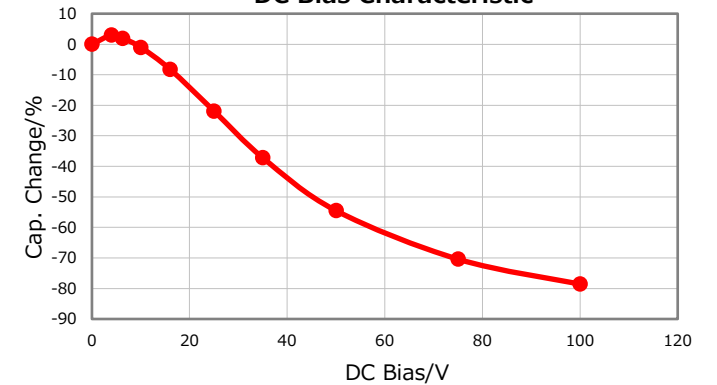
**|Z|, ESR vs. Freq. Characteristics
(Simulation data)**



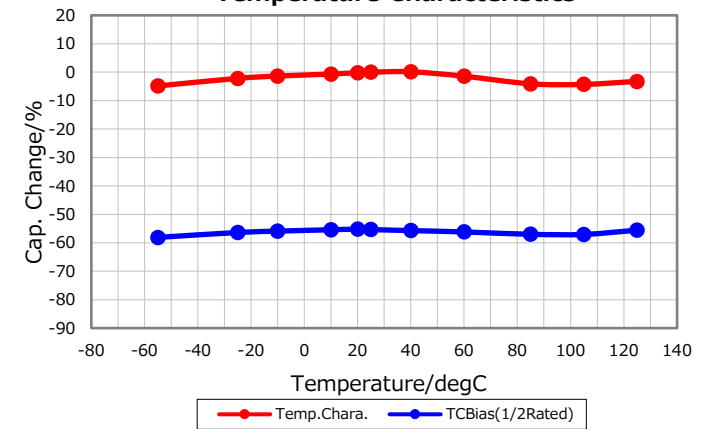
Cap. vs. Freq. Characteristic



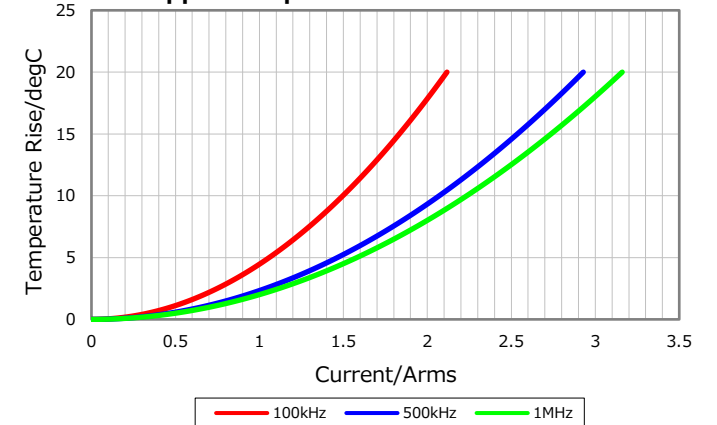
DC Bias Characteristic



Temperature Characteristics



Ripple Temperature Rise Characteristics



Characterization Sheet (Multilayer Ceramic Chip Capacitors)



All specifications are subject to change without notice.

January 23, 2020